

FP204, FP214, FP224, FP234 Flow Switches



Main features	
Application	heating systems
Purpose	microswitch switches when preset flowrate is exceeded
Working fluid	water, water/glycol mixture (max. 1:1)
Installation position	vertical or horizontal, microswitch facing upwards

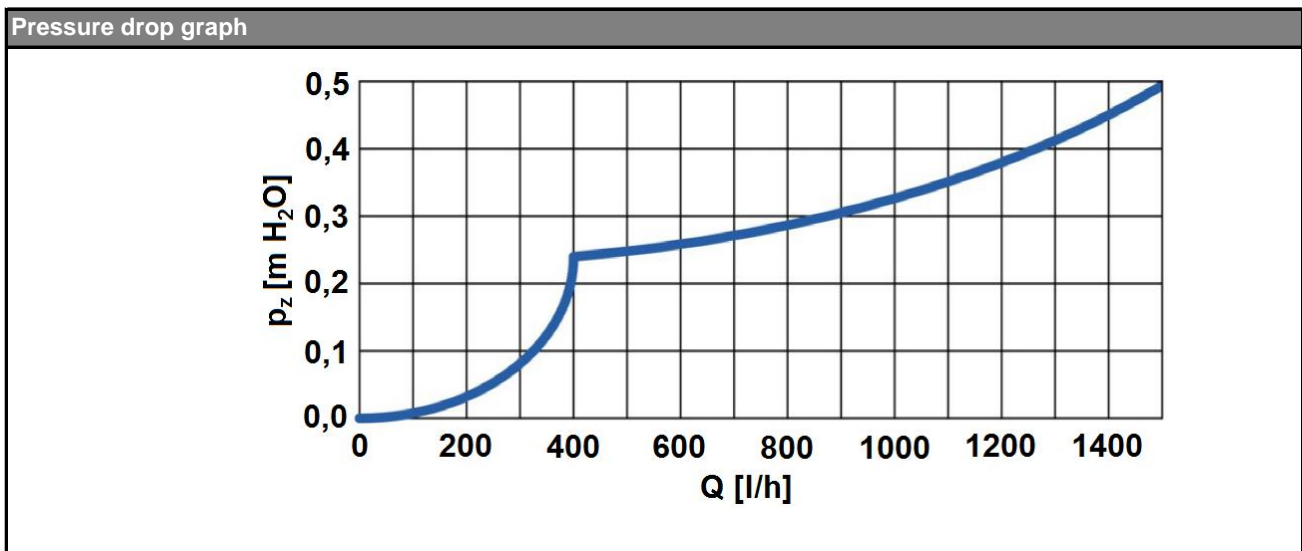
Function Description
Fluid flows around the cone inside the switch, deflecting the cone. This is transferred by a lever to a microswitch that will switch when the preset flowrate is reached. When the flowrate drops, contacts open.

Codes	no microsw.	microsw.	microsw. with gold-pl. contacts
FP204	-	381	13552
FP214	-	382	13553
FP224	6073	383	4247
FP234	14812	14811	14810

Technical data	
Max. working pressure	3 bar
Fluid max. working pressure	110 °C
Microswitch closing flowrate	400 l/h ± 50 l/h
Microswitch opening flowrate	350 l/h ± 50 l/h
Ambient temperature	-20 to 65 °C
Connection size	see Dimensions

Electric data	no microsw.	microsw.	microsw. with gold-pl. contacts
Max. voltage	-	240 V AC	4 - 30 V
Switching current	-	0.05 - 5 A	1 - 100 mA
IP rating	-	IP 40	IP 40

Materials	
Housing, cone guide, support	brass
Cone, lever and box	NORYL GFN3
Microswitch	PC
Gasket	EPDM

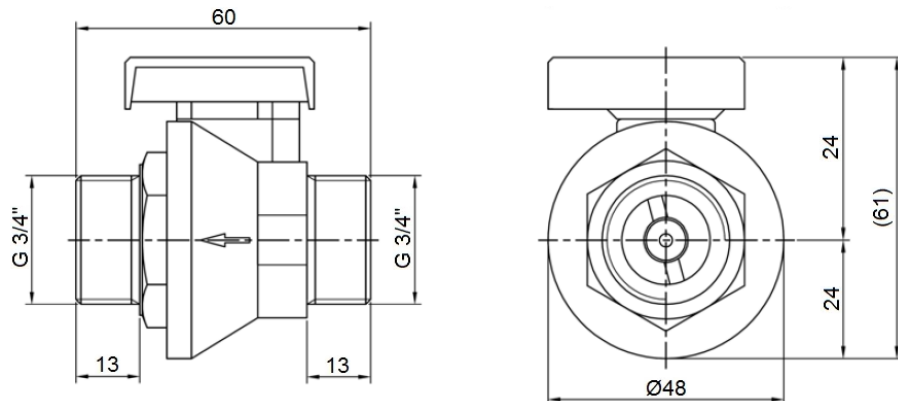


FP204, FP214, FP224, FP234 Flow Switches

Dimensions and Weights

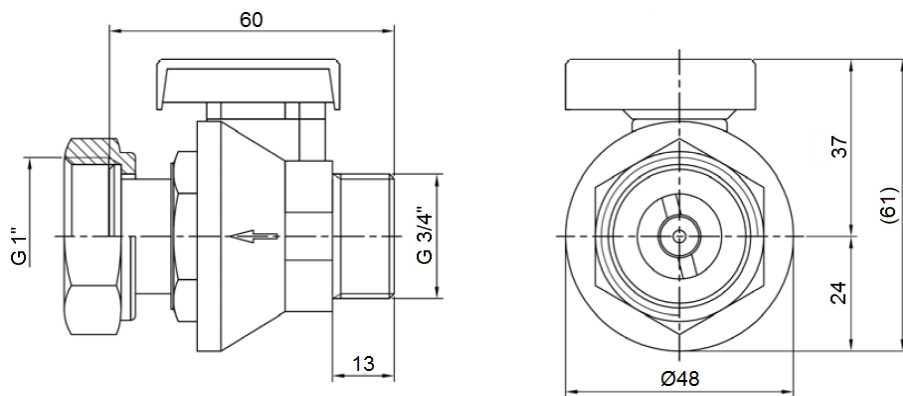
FP204

weight: 255 g



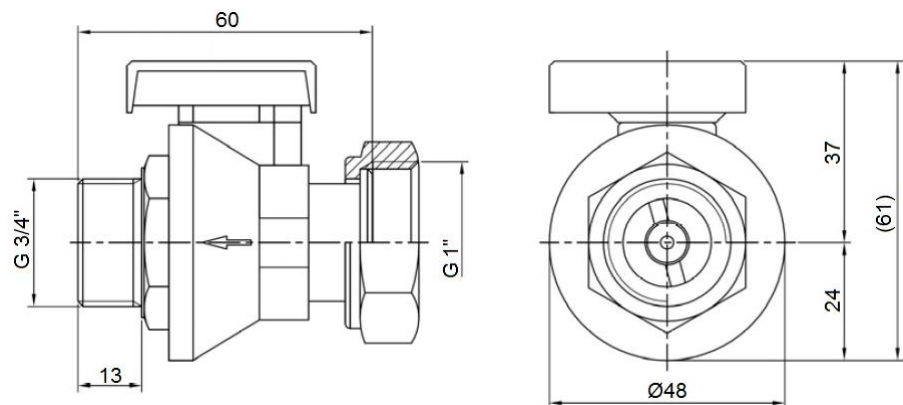
FP214

weight: 290 g



FP224

weight: 295 g



FP234

weight: 285 g

