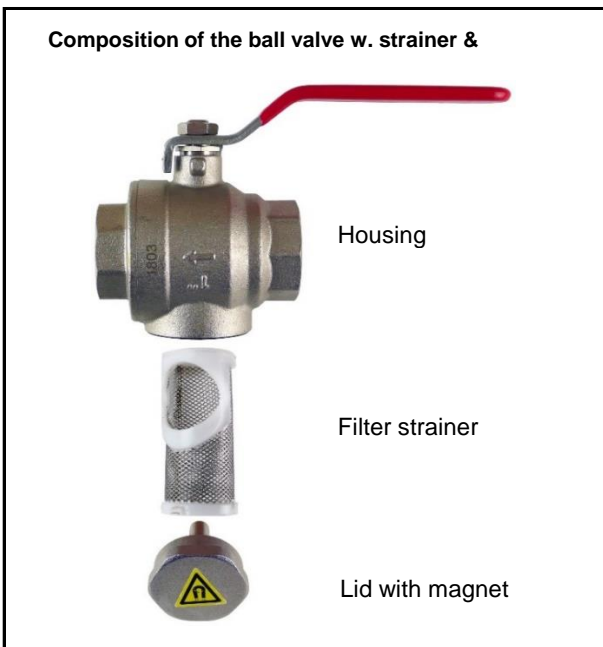


**Ball valve w. strainer & magnet**



Main features	
Application	intended for tight closure or opening of working fluid flow and impurities filtering
Description	ball valve with integrated strainer + magnet
Control	manual opening/closing using the lever
Working fluid	water, antifreeze fluid for heating systems, heat pumps and solar thermal systems
Maintenance	for strainer cleaning, close the ball valve completely, unscrew the lid with magnet and remove the strainer
Installation	horizontal or vertical, always respect the flow direction marked by an arrow on the housing; for proper functioning the valve shall be fully open during operation and fully closed during maintenance and strainer cleaning

Name	Code	Connection size
3/4" F Ball valve w. strainer & magnet	<b>17404</b>	G 3/4" F
1" F Ball valve w. strainer & magnet	<b>17405</b>	G 1" F
5/4" F Ball valve w. strainer & magnet	<b>17406</b>	G 5/4" F
6/4" F Ball valve w. strainer & magnet	<b>17407</b>	G 6/4" F
2" F Ball valve w. strainer & magnet	<b>17408</b>	G 2" F

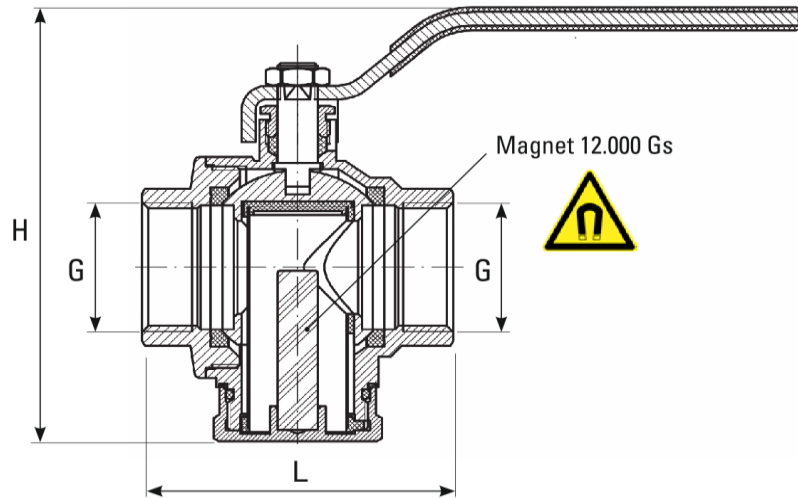


Technical Data	
Max. working pressure	16 bar
Max. working temperature	-20 °C to 100 °C
Magnetic induction	1.2 T (12 000 Gs)
Filter mesh size	0.6 mm

Materials	
Valve housing	nickel-plated brass
Lid	nickel-plated brass
Magnet	neodymium NdFeB
Filter strainer	stainless steel
O-ring (lid)	EPDM
Lid gasket	EPDM
Closing ball	chrome-plated brass
Ball seal	PTFE
Spindle	brass
Spindle seal	PTFE
Packing nut	brass
Lever	plastic / steel

## Ball valve w. strainer & magnet

### Dimensions



Code	Dimensions			DN [mm]	KV [m <sup>3</sup> /h]	Weight [kg]
	G	L [mm]	H [mm]			
17404	3/4" F	65	100	20	7,0	0,6
17405	1" F	78	112	25	12,7	0,8
17406	5/4" F	87	129	32	21,1	1,3
17407	6/4" F	108	144	40	35,9	2,0
17408	2" F	127	188	50	53,4	3,9

### Pressure drop diagram

