

## Ball valve with union nut



### Main Features

Application	intended for tight closure or opening of working fluid flow
Working fluid	water, antifreeze fluid for heating systems, heat pumps and solar thermal systems
Control	manual, by turning the lever

Code	Connection size
<b>17051</b>	G 1/2" Fu x G 1/2" M
<b>17052</b>	G 3/4" Fu x G 3/4" M
<b>18198</b>	G 3/4" Fu x G 3/4" M
<b>17044</b>	G 1" Fu x G 1" M
<b>17410</b>	G 1/2" Fu x G 1/2" F
<b>17411</b>	G 3/4" Fu x G 3/4" F
<b>17931</b>	G 6/4" Fu x G 1" M
<b>17654</b>	G 3/4" Fu x G 3/4" M
<b>18760</b>	G 1" Fu x G 3/4" F
<b>15412</b>	G 1" Fu x G 1" F

Note: Fu = union nut, M = outer thread, F = inner thread

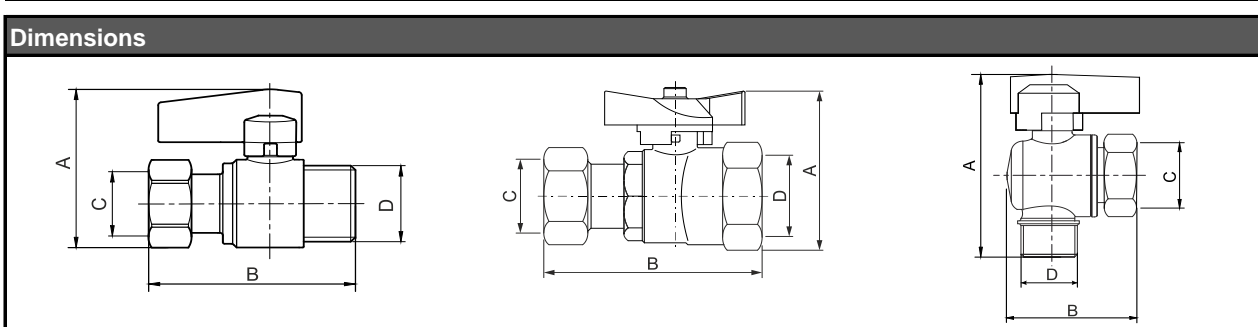
### Technical Data

Max. working pressure	16 bar
Max. working temperature	120 °C

### Materials

Valve body	brass
Union nut	brass
Sealing	PTFE

**Ball valve with union nut**



Connection	Codes	Dimensions				DN	Weight [g]
		A [mm]	B [mm]	C*	D		
Union nut x outer thread	<b>17051</b>	50	60	1/2"	1/2"	10	140
	<b>17052</b>	55	66	3/4"	3/4"	15	200
	<b>18198</b>	130	60	3/4"	3/4"	15	210
	<b>17044</b>	61	100	1"	1"	20	395
	<b>17931</b>	59	102	6/4"	1"	20	480
	<b>17654</b>	54	66	3/4"	3/4"	15	200
Union nut x inner thread	<b>17410</b>	50	60	1/2"	1/2"	10	130
	<b>17411</b>	55	60	3/4"	3/4"	15	195
	<b>15412</b>	60	80	1"	1"	20	345
	<b>18760</b>	54	74	1"	3/4"	15	240

\* union nut