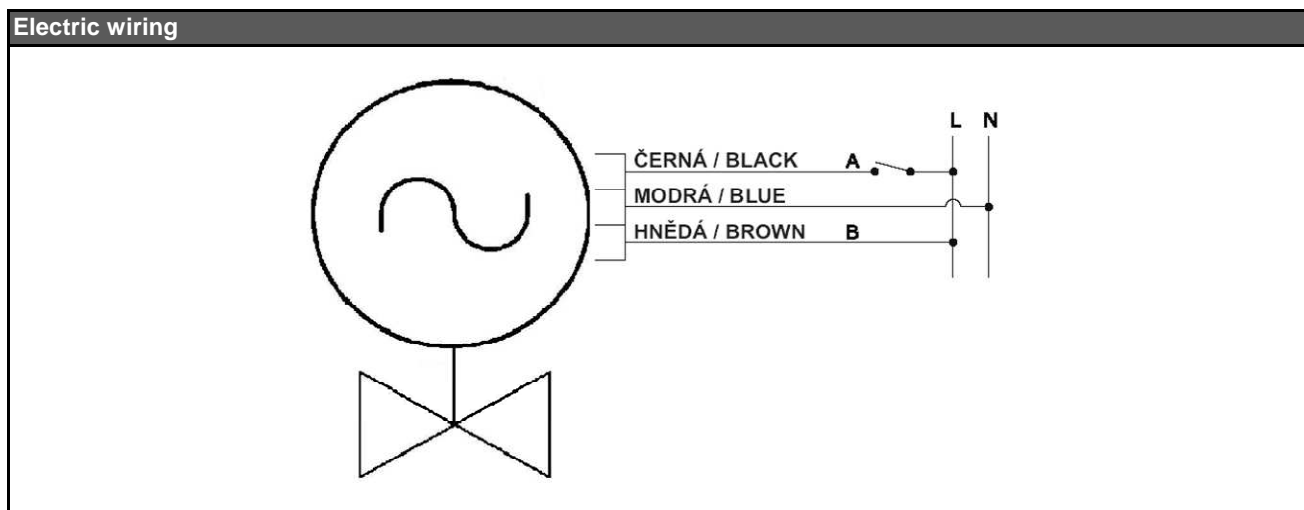


LK 525 Zone Gate Valves
- bidirectional actuator with single-pole control, NO

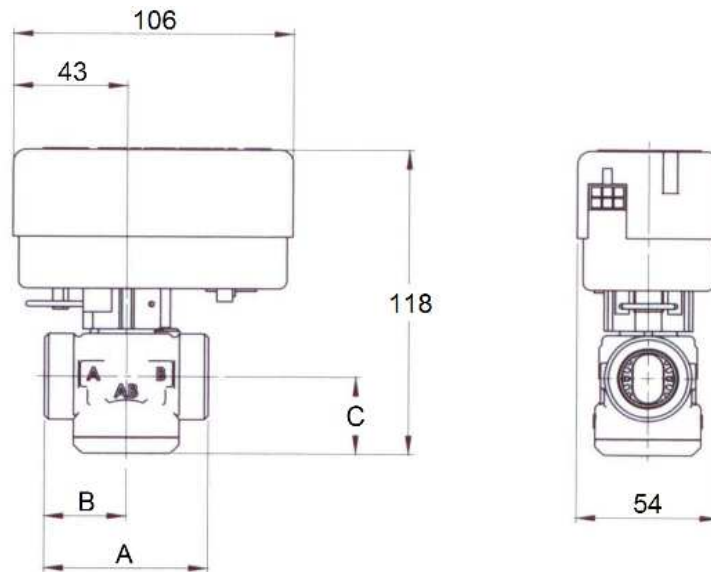


Main features	
Application	heating or solar thermal systems
Working fluids	water, water-glycol mixture (max. 1:1) or water-glycerine mixture (max. 2:1)
Installation position	any, except for actuator facing downwards
Codes	
12 874	for LK 525 with connection G 1" M
12 875	for LK 525 with connection G 5/4" M
Control	
Control	single-pole
De-energised	valve open
Energised	valve closed
Manual control	after removing actuator, turn valve stem to the desired position
Valve shift time	12 s / 90°
Valve data	
Max. working pressure	1 MPa
Fluid working temperature	5 to 80 °C, 90 °C in short term -15 to 120 °C, 160 °C in short term
Leakage rate	< 1 % K _{vs} at Δp 100 kPa
Actuator data	
Power supply	230 V 50 Hz
Power consumption	7 W
Current	30 mA
IP rating	IP40 per EN 60529
Protection class	II per EN 61140 ed.2
Electromagnetic compatibility	per EN 50130-4
Ambient working temperature	1 to 60 °C
Power cable cross section	3 x 0.75 mm ²
Power cable length	1 m
Materials	
Valve body	forged brass
Valve member	PPS
Valve spindle	PPS
Power cable	PVC



LK 525 Zone Gate Valves
- bidirectional actuator with single-pole control, NO

Dimensions



Type	Parameter	connection	dimensions [mm]			weight [kg]	K _{vs} [m ³ /hod]	max. pressure difference [m H ₂ O]
			A	B	C			
LK 525 2-way valves		G 1" M	62	31	30	0,6	11	10
		G 5/4" M	74	37	30	0,6	11	10

Pressure drop graph

