

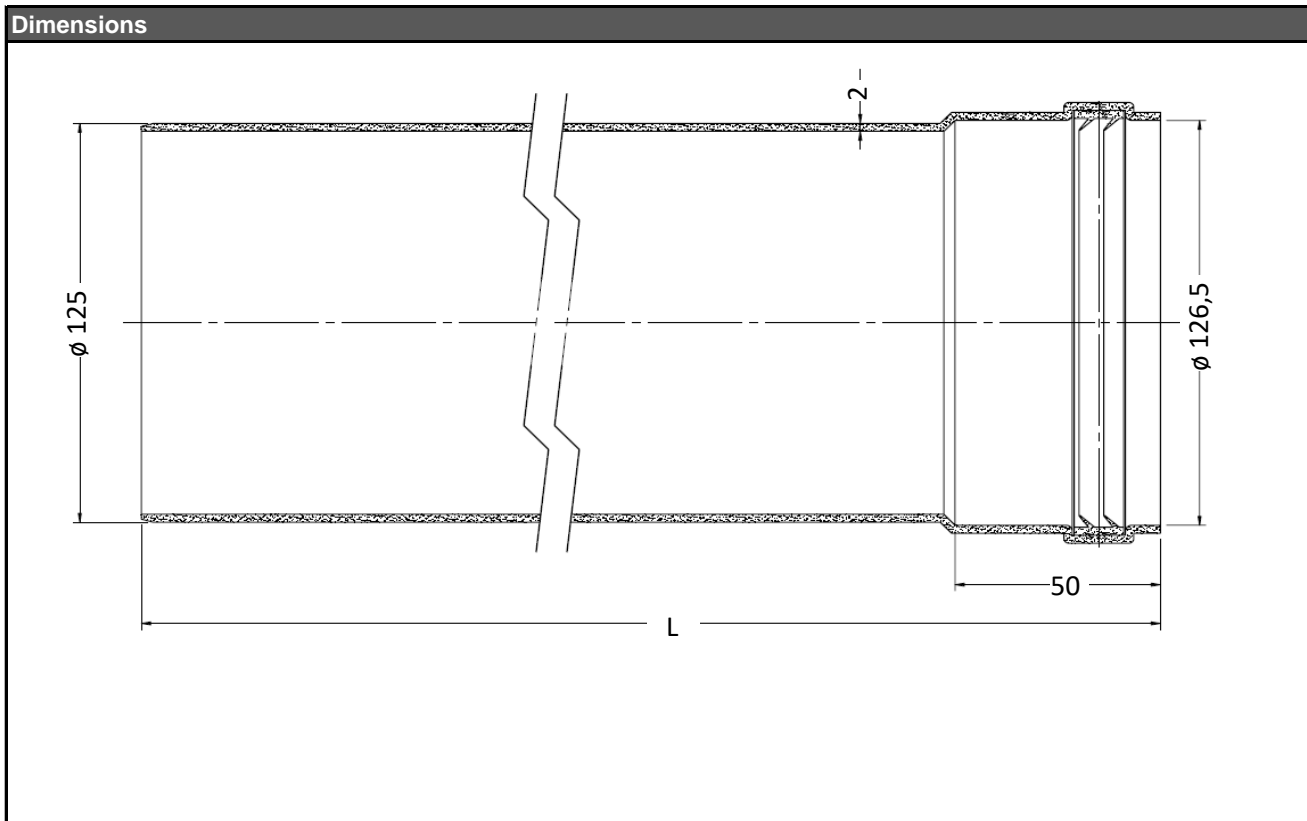
Twin Flue Pipe System, Polypropylene, diam. 125

Main features	
Application	discharge of flue gas from condensing gas boilers
Description	flue pipe system with separate air intake and flue gas outlet through a polypropylene pipe
Transported medium	flue gas up to 120 °C, air
Certification	EN 14471:2013

Technical Data	
Pipe material	polypropylene
Pipe diameter	125 mm
Gasket material	EPDM

Extension	
3D model (1000 mm long)	Photo (500 mm long)

Codes	Marking	Length (dimension L)	Colour	Specification
9683	BB015005	500 mm	white	
9684	BB015001	1000 mm	white	
14547	BB015014	2000 mm	white	
15406	BN015001	1000 mm	black	UV resistant



Twin Flue Pipe System, Polypropylene, diam. 125

90° Elbow with Inspection Door

3D model



Photo



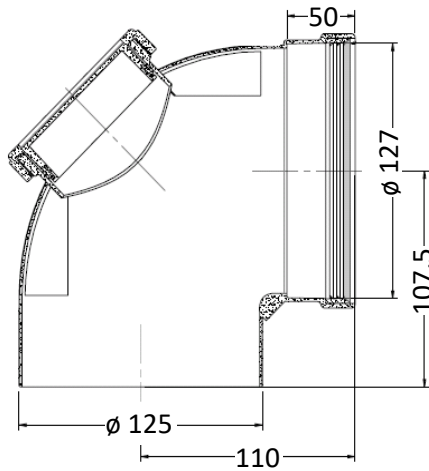
Code

14553

Marking

BB015037

Dimensions



90° Elbow

3D model



Photo



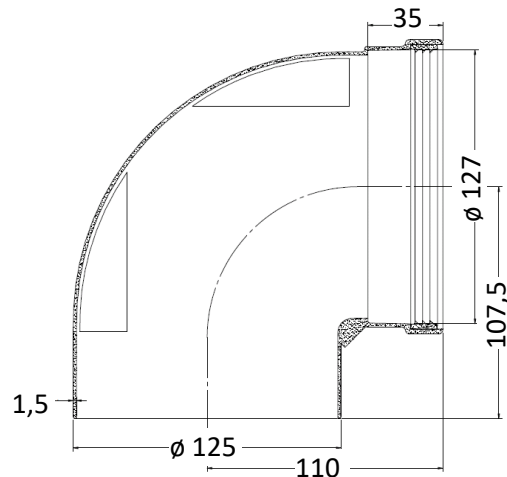
Code

9671

Marking

BB015000

Dimensions



Twin Flue Pipe System, Polypropylene, diam. 125

45° Elbow

3D model



Photo



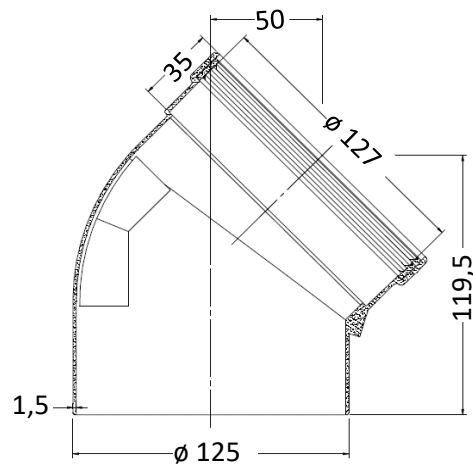
Code

9672

Marking

BB015006

Dimensions



Chimney Elbow with Support

3D model



Photo



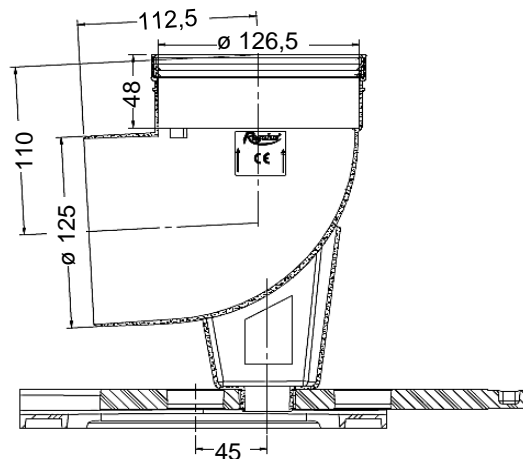
Code

14546

Marking

A1012169

Dimensions



Twin Flue Pipe System, Polypropylene, diam. 125

Chimney T-piece, condensate trap, incl. support (separate)

3D model

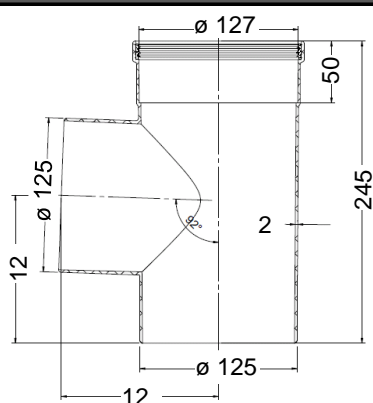


Photo

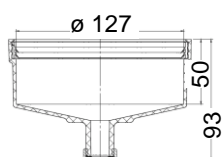


Codes	Marking	
14548	BB015018	T-piece
14574	BB015041	Condensate trap
8202	A5012034	Support

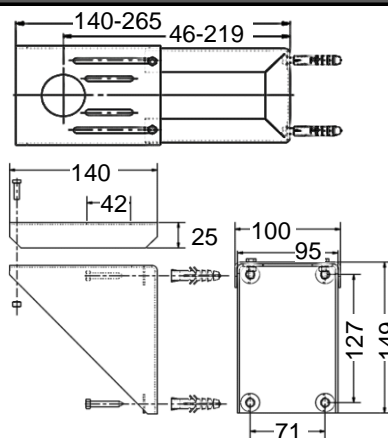
Dimensions



14548



14574



8202

Adapter 100 M / 125 F

3D model

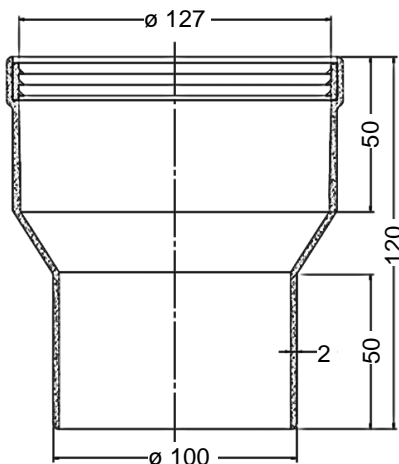


Photo



Code	Marking
14550	BB015032

Dimensions



Twin Flue Pipe System, Polypropylene, diam. 125

Eccentric Flue Adapter 100 M / 125 F

3D model



Photo



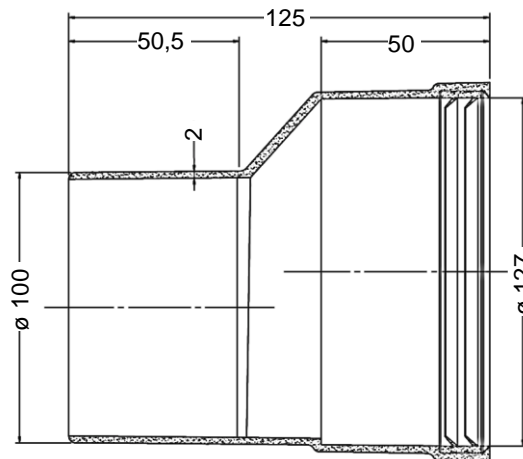
Code

16035

Marking

BB015118

Dimensions



Wall Collars

3D model



Photo



Code

3776

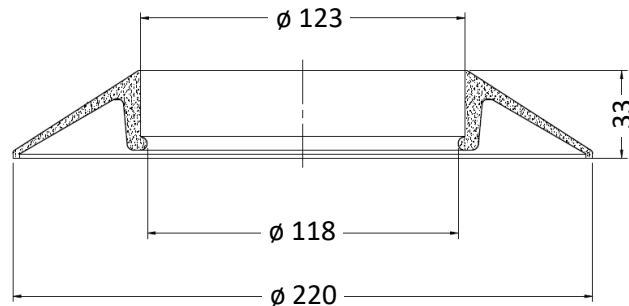
Marking

A1018112

Position

Inner and outer

Dimensions



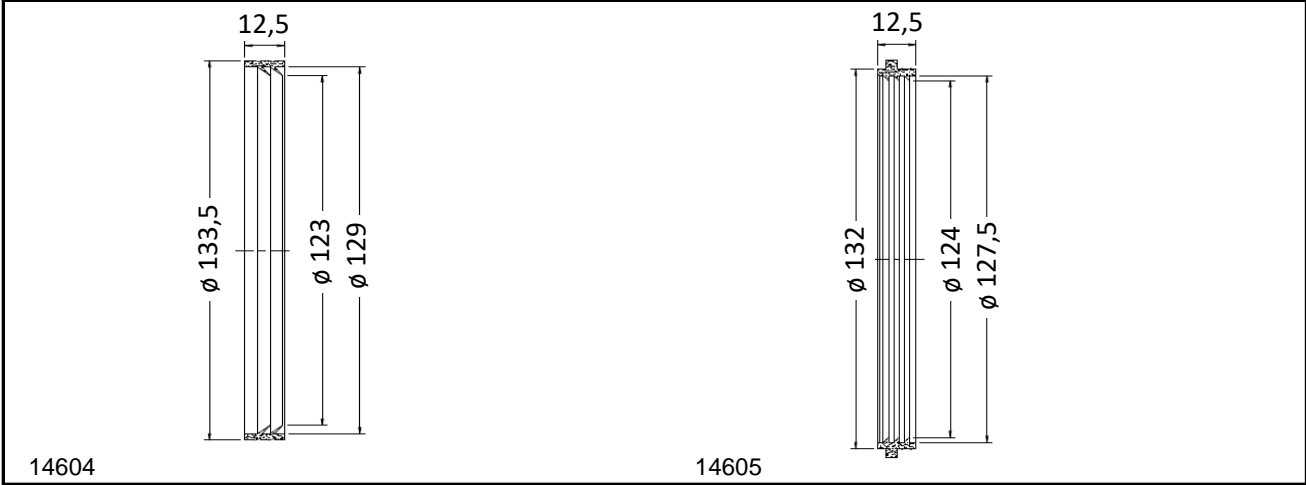
Twin Flue Pipe System, Polypropylene, diam. 125

Gaskets

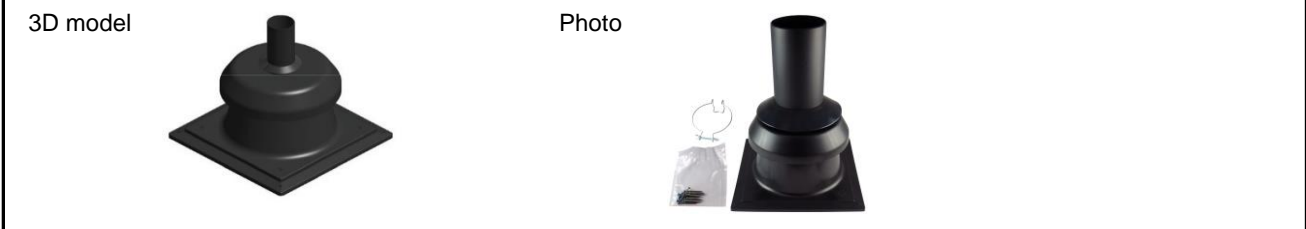


Codes	Marking	Diameter	Specification
14604	A1018063	125 mm	2 lips
14605	A1018064	125 mm	3 lips, with teeth

Dimensions

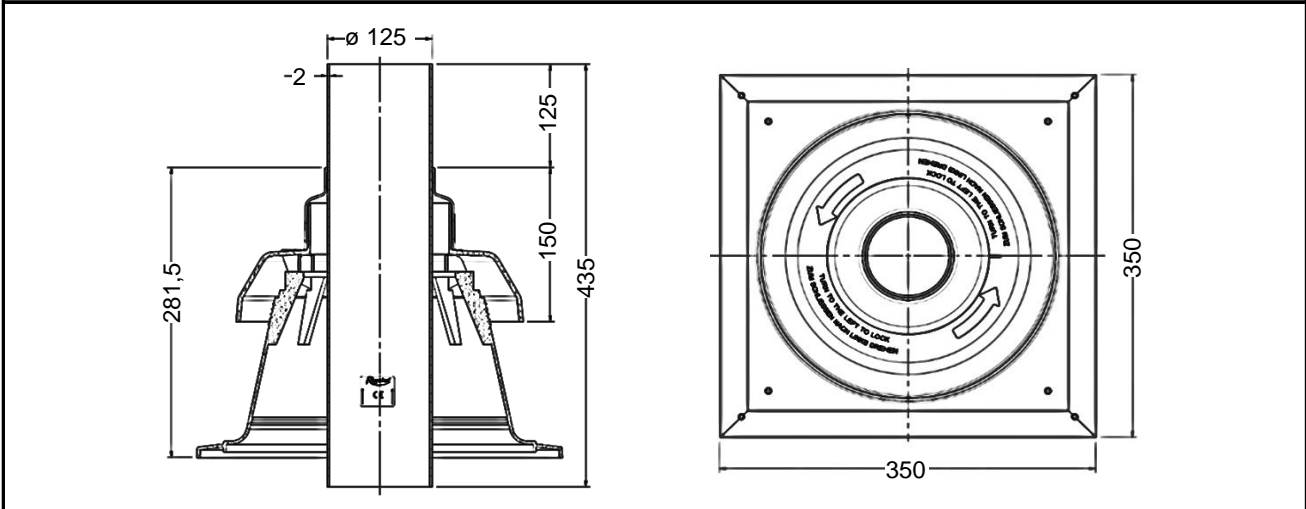


Chimney Cowl



Code	Marking
16130	A5025065

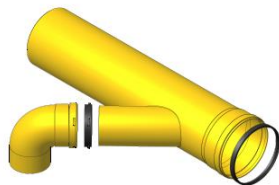
Dimensions



Twin Flue Pipe System, Polypropylene, diam. 125

Extension for Cascades with Elbow

3D model



Photo



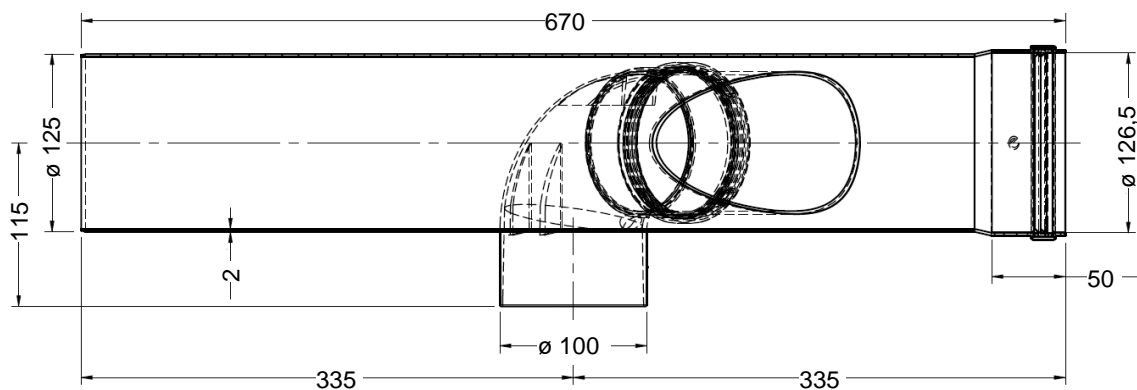
Code

9675

Marking

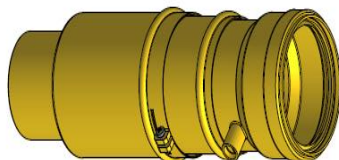
BB015010

Dimensions



Adapter for Cascades

3D model



Photo



Code

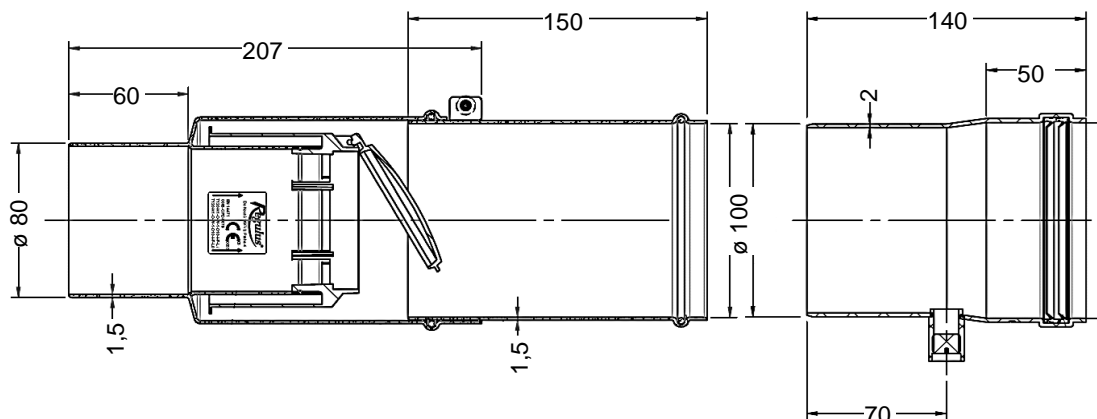
9682

Marking

BB005065

3-pc set w. non-return flap

Dimensions



Twin Flue Pipe System, Polypropylene, diam. 125

Non Return Flap for Cascades

3D model



Photo



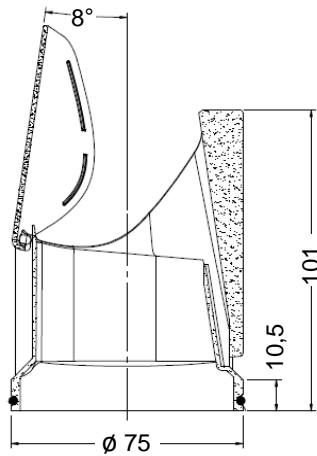
Code

14567

Marking

BB011377

Dimensions



Cap for Cascades, w. Condensate Trap

3D model



Photo



Codey

10218

Marking

BB015015

including plug

Dimensions

