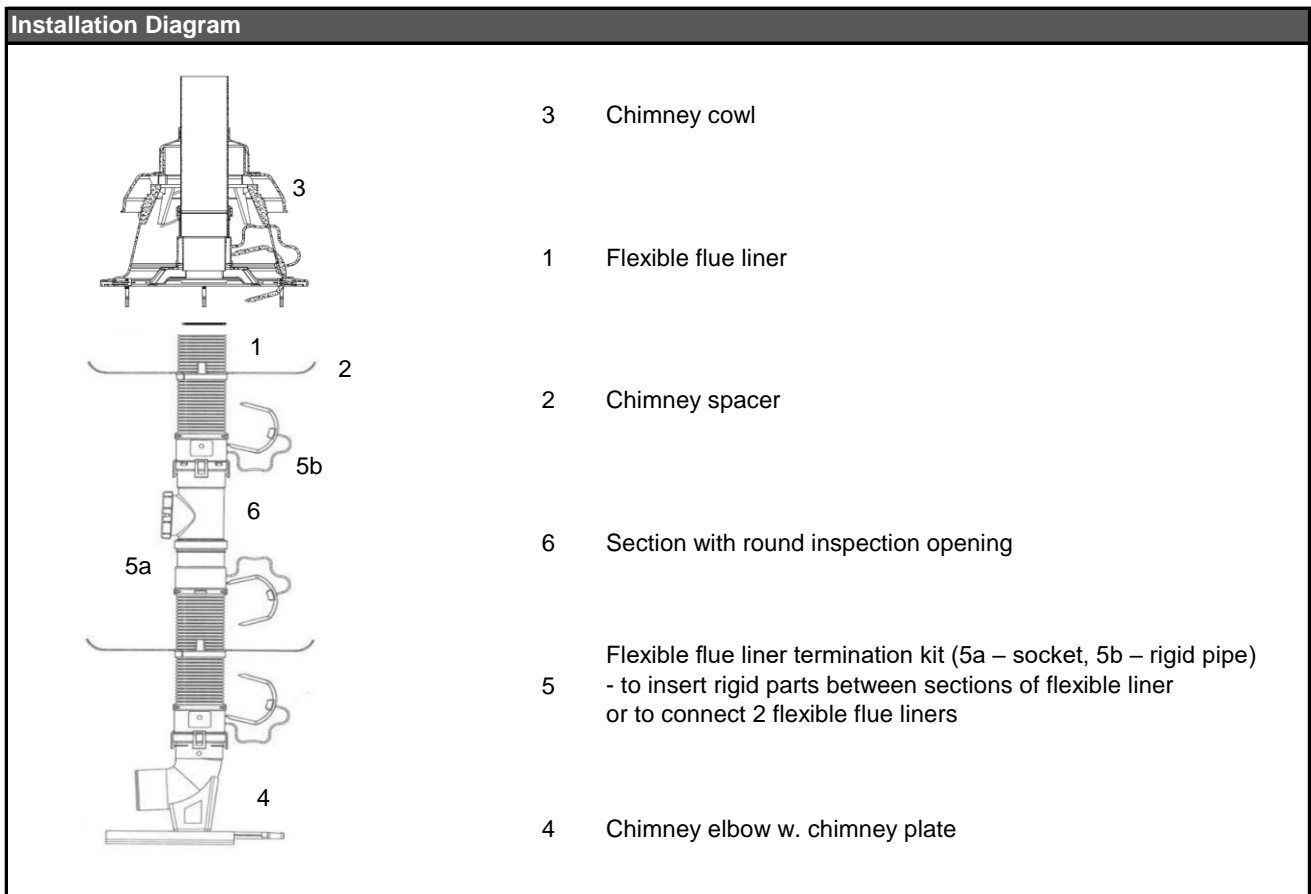


RegulusFLEX Flexible Flue Liner, diam. 60

Main features	
Application	discharge of flue gas from condensing gas boilers
Description	Flue gas discharge system for gas-fired condensing boilers through a flexible flue liner inside a chimney. Conventional components of concentric or twin flue piping can be used between the boiler and the chimney. The same applies to components inside the chimney – sections with inspection doors, T-pieces etc.
Transported medium	flue gas up to 120 °C, air
Certification	EN 14471:2013

Technical Data	
Pipe material	polypropylen
Pipe diameter	60 mm
Gasket material	EPDM



RegulusFLEX Flexible Flue Liner, diam. 60

Flexible Flue Liner

3D model

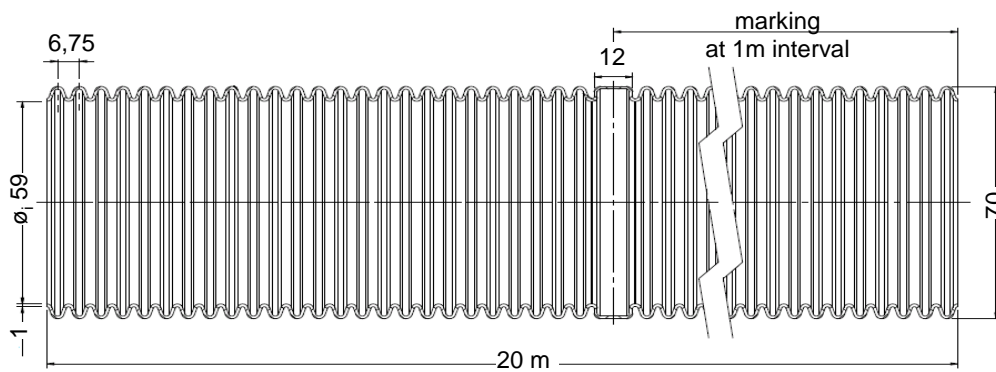


Photo (20 m long)



Codes	Marking	Length
16114	BB004241	20 m
16058	BB004243	sold by the meter (max 50 m)

Dimensions



Chimney Spacer

3D model

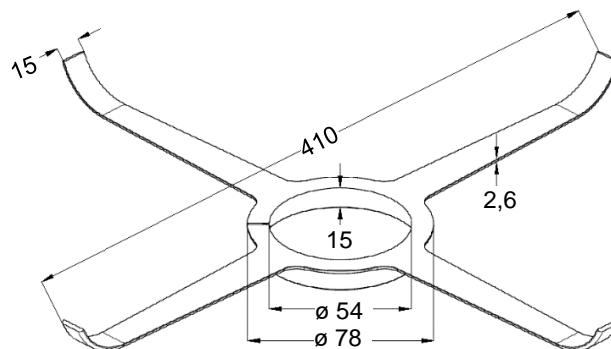


Photo



Code	Marking	
15428 ¹⁾	BN004072	¹⁾ 5 chimney spacers are also included in chimney kit 16543

Dimensions



RegulusFLEX Flexible Flue Liner, diam. 60

Chimney Cowl

3D model



Photo



Code

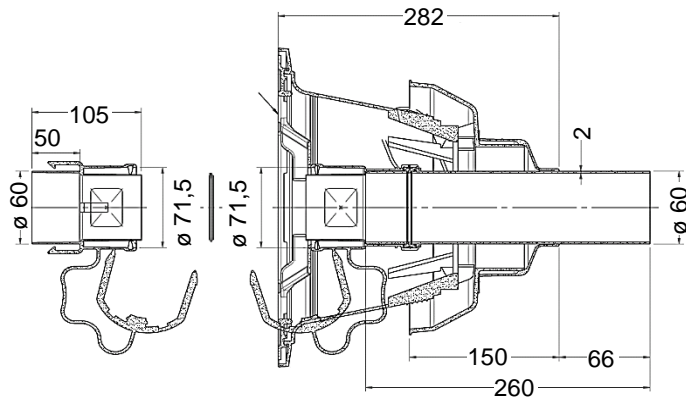
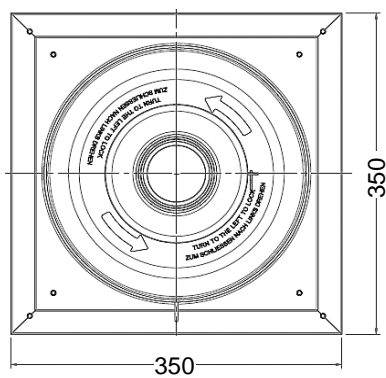
Marking

15835²⁾

A5025057

²⁾ chimney cowl is also included in chimney kit 16543

Dimensions



Chimney Elbow w. support

3D model



Photo



Code

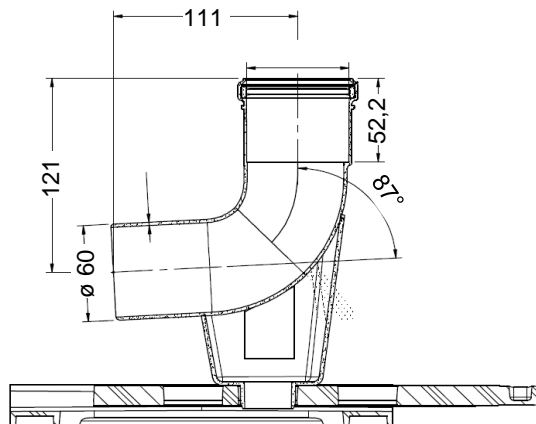
Marking

12108³⁾

A1012120

³⁾ chimney elbow is also included in chimney kit 16543

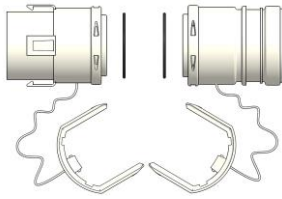
Dimensions



RegulusFLEX Flexible Flue Liner, diam. 60

Termination Kit

3D model



Photo



Code

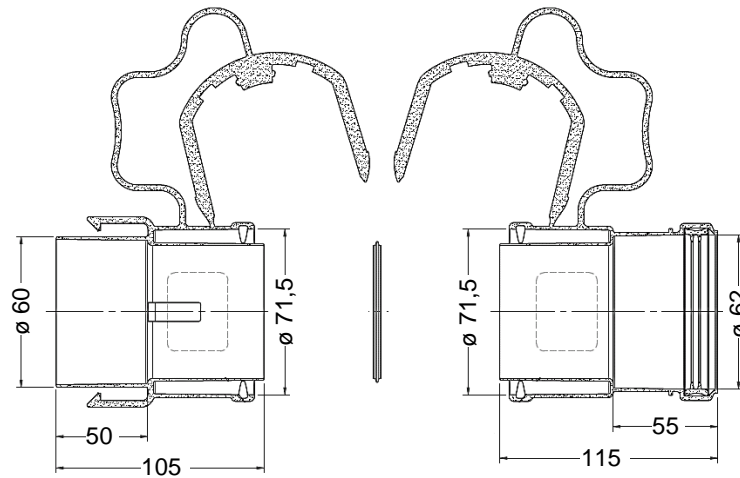
Marking

15440⁴⁾

BB004240

⁴⁾ kit is also included in chimney cowl set 15835

Dimensions



Gasket

3D model



Photo



Code

Marking

Diameter

Specification

15951

A1013355

60 mm

1 lip

Dimensions

