

**Concentric PP Flue Pipes, 60/100 diam.**

**Main Features**

Application	flue gas discharge from condensing gas fired boilers
Description	concentric flue piping where exhaust gas is discharged through the inner polypropylene pipe and combustion air sucked in through the outer polypropylene pipe
Transported medium	flue gas up to 120 °C, air
Certification	EN 14471:2013

**Technical Data**

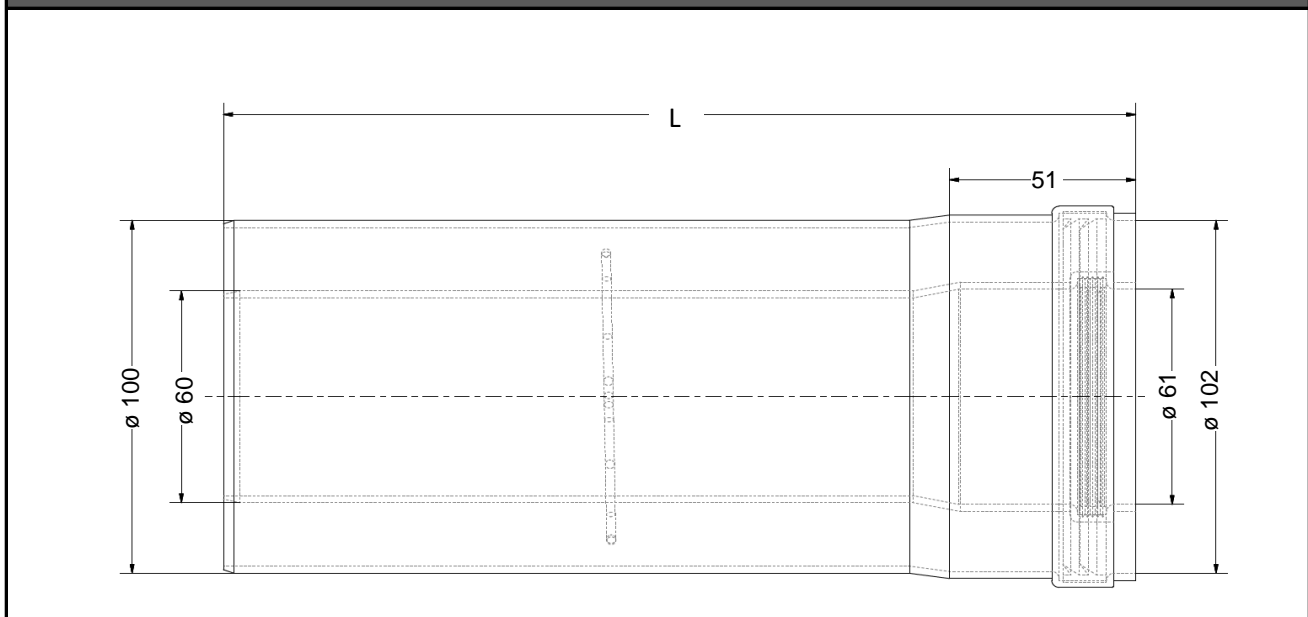
Inner pipe material	polypropylene
Inner pipe diameter	60 mm
Outer pipe material	polypropylene
Outer pipe diameter	100 mm
Gasket material	EPDM

**Extensions**



Codes	Marking	Length (dimension L)
14609	BB012092	250 mm
14610	BB012009	500 mm
14611	BB012010	1000 mm
14612	BB012105	2000 mm

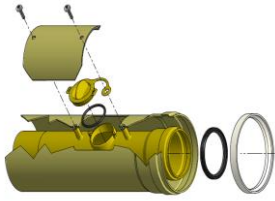
**Dimensions**



**Concentric PP Flue Pipes, 60/100 diam.**

**Adapter with Inspection Door**

3D model



Photo



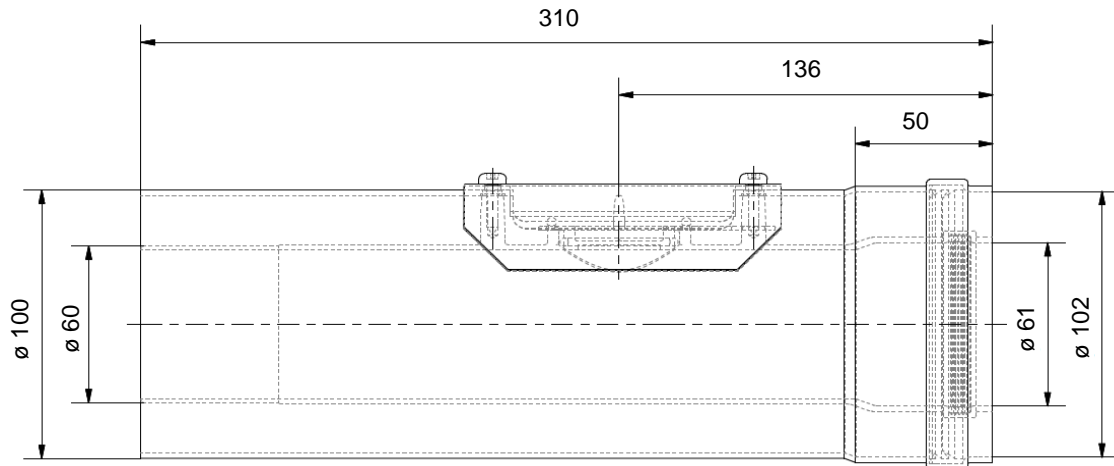
**Code**

**Marking**

**14616**

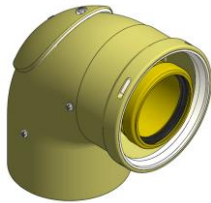
**BB012107**

**Dimensions**



**90° Elbow with Inspection Door**

3D model



Photo



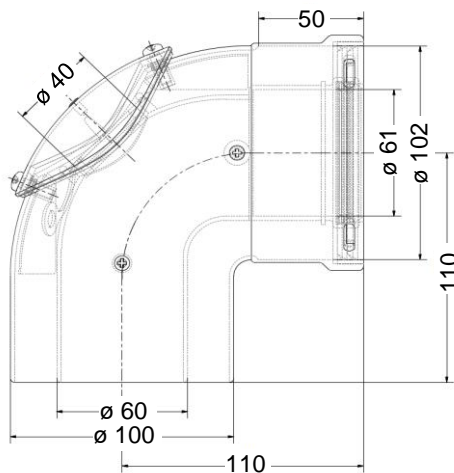
**Code**

**Marking**

**14615**

**BB012099**

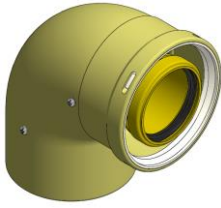
**Dimensions**



**Concentric PP Flue Pipes, 60/100 diam.**

**90° Elbow**

3D model



Photo



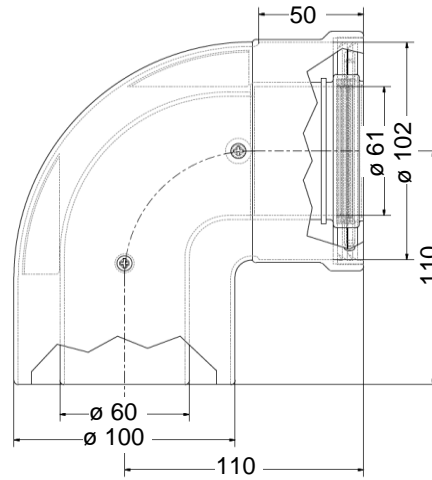
**Code**

**14608**

**Marking**

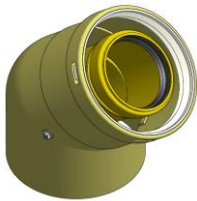
**BB012095**

**Dimensions**



**45° Elbow**

3D model



Photo



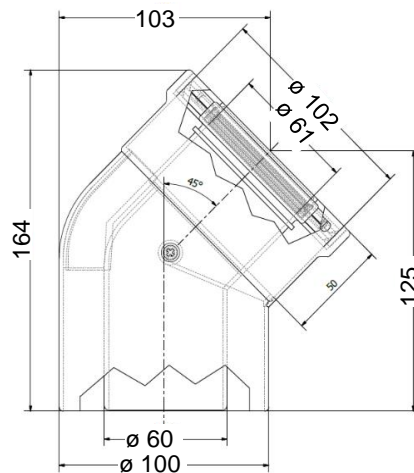
**Code**

**14607**

**Marking**

**BB012097**

**Dimensions**



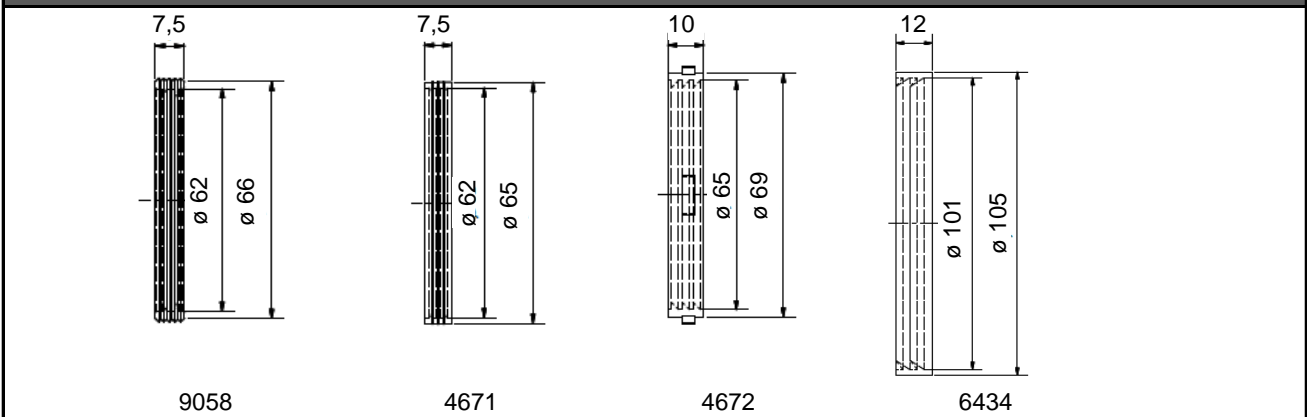
**Concentric PP Flue Pipes, 60/100 diam.**

**Gaskets**

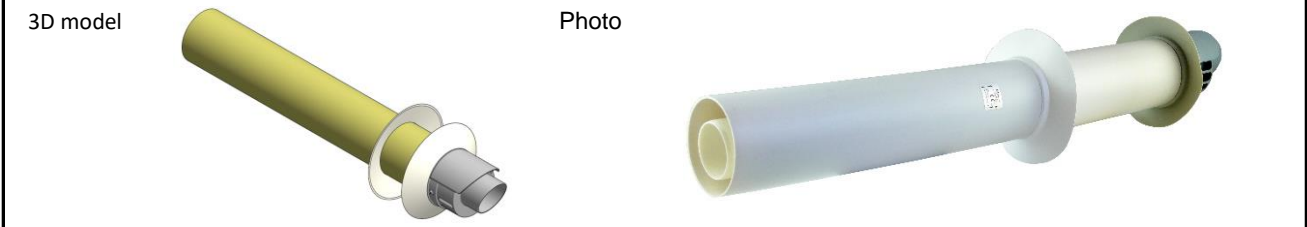


Codes	Marking	Diameter	Specification
9058	A1013310	60 mm	2 lips
4671	A1013020	60 mm	3 lips
4672	A1013184	60 mm	3 lips, with teeth
6434	A1015165	100 mm	2 lips, grey silicone

**Dimensions**

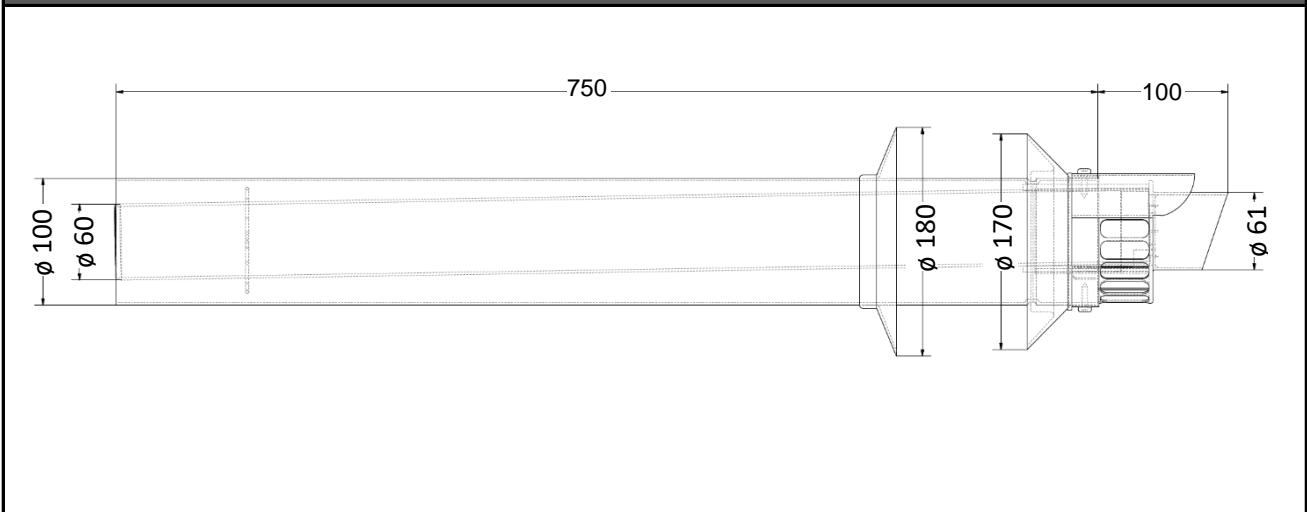


**Horizontal Through-the-wall Pipe w. Terminal**



Code	Marking
14613	BB012106

**Dimensions**



**Concentric PP Flue Pipes, 60/100 diam.**

**Flue Pipes w. Terminals**



Codes	Marking	Colour
11253	A5023165	black
11254	A6023165	red

**Dimensions**

