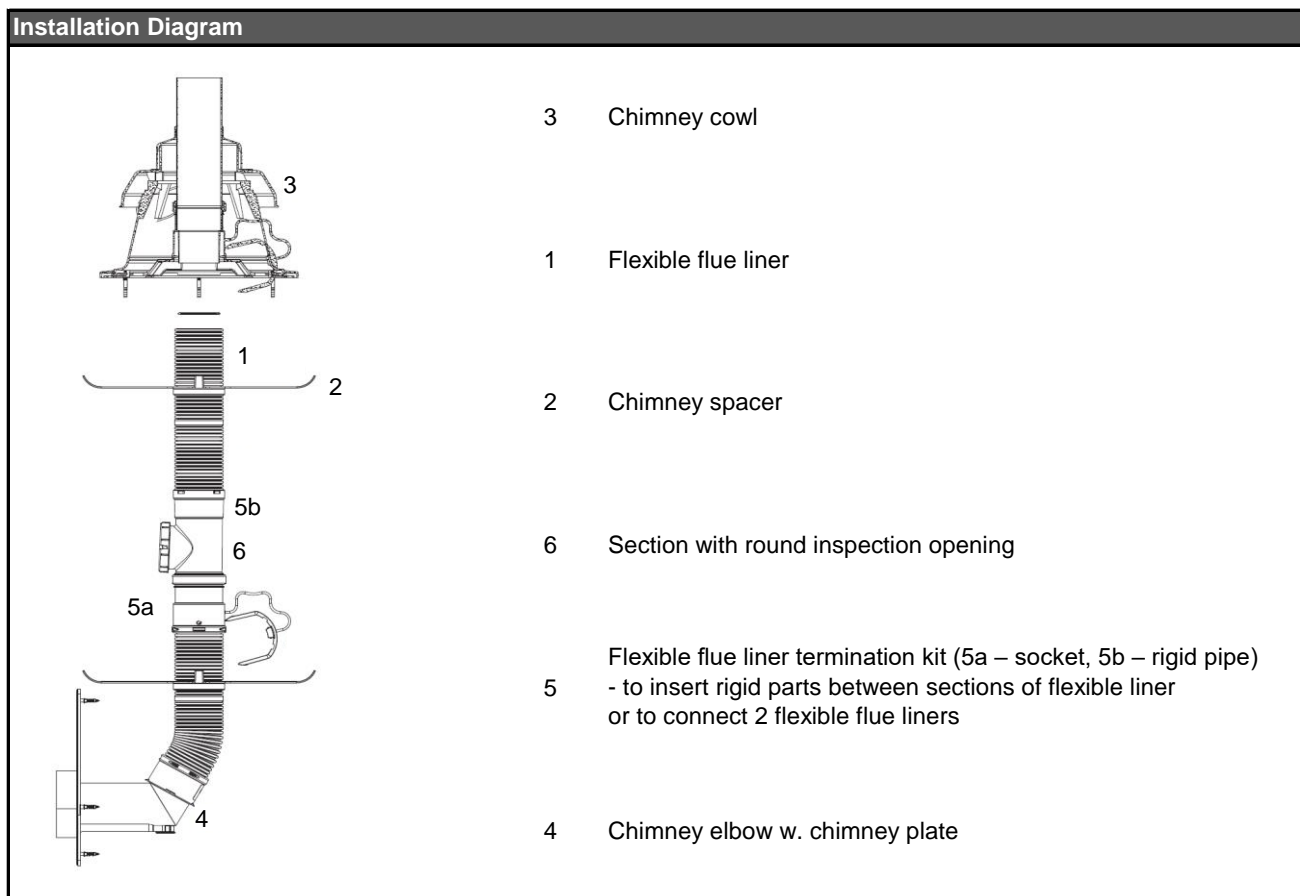


RegulusFLEX Flexible Flue Liner, diam. 80

Main Features	
Application	discharge of flue gas from condensing gas boilers
Description	Flue gas discharge system for gas-fired condensing boilers through a flexible flue liner inside a chimney. Conventional components of concentric or twin flue piping can be used between the boiler and the chimney. The same applies to components inside the chimney – sections with inspection doors, T-pieces etc.
Transported medium	flue gas up to 120°C, air
Certification	EN 14471:2013

Technical Data	
Pipe material	polypropylene
Pipe diameter	80 mm
Gasket material	EPDM



RegulusFLEX Flexible Flue Liner, diam. 80

Flexible Flue Liner

3D model

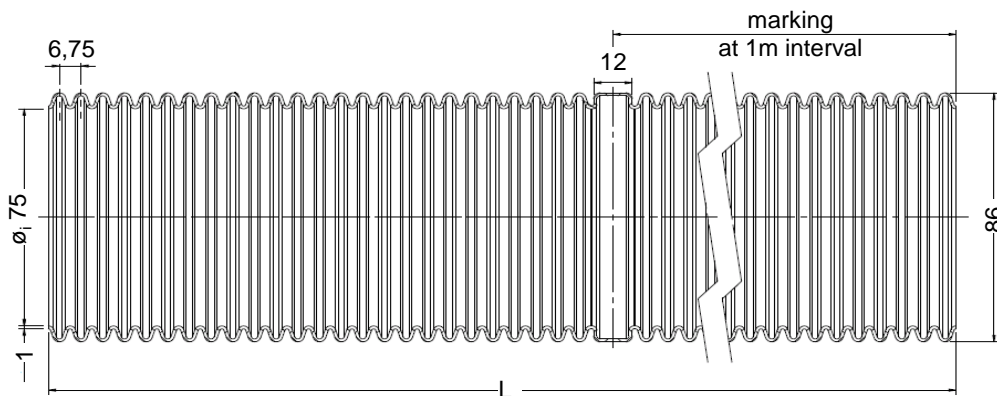


Photo (20 m long)



Codes	Marking	Length (dimension L)
16666	REG16666	80 m
16115	BB011515	20 m
17927	REG17927	10 m
16062	BB011524	sold by the meter (max 80 m)

Dimensions



Chimney Spacer

3D model

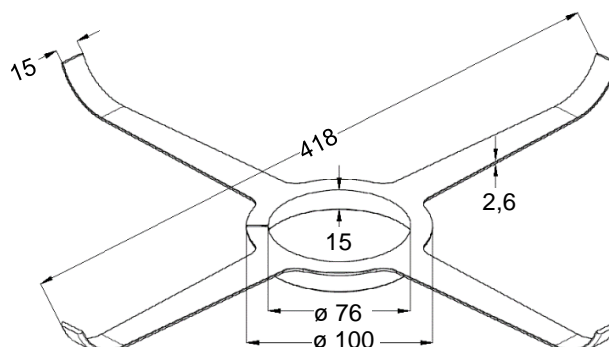


Photo



Code	Marking	
7419 ¹⁾	BN011091	¹⁾ 5 chimney spacers are also included in chimney kits 17243, 16904, 16176

Dimensions



RegulusFLEX Flexible Flue Liner, diam. 80

Chimney Cowl

3D model



Photo



Code

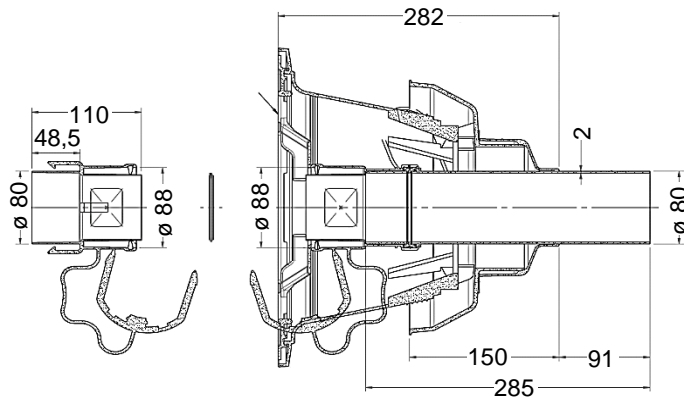
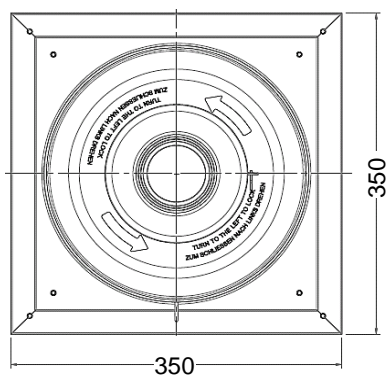
Marking

15836²⁾

A5025058

²⁾ chimney cowl is also included in chimney kits 17243, 16904, 16176

Dimensions



Chimney Elbow w. support

3D model



Photo



Code

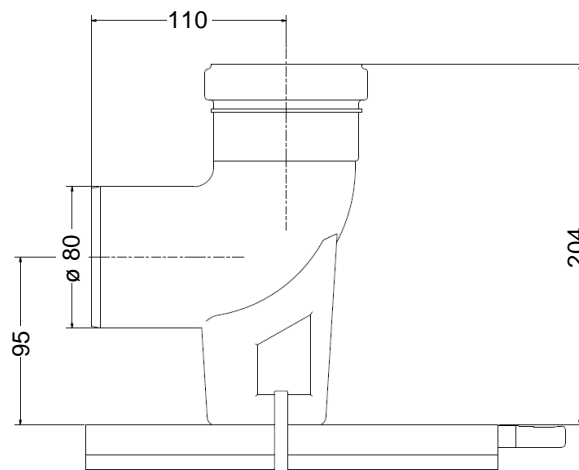
Marking

11954³⁾

A1012121

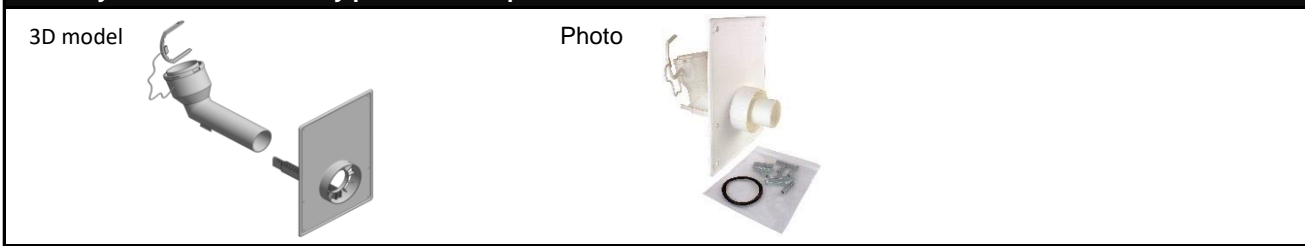
³⁾ chimney elbow is also included in chimney kit 16176

Dimensions

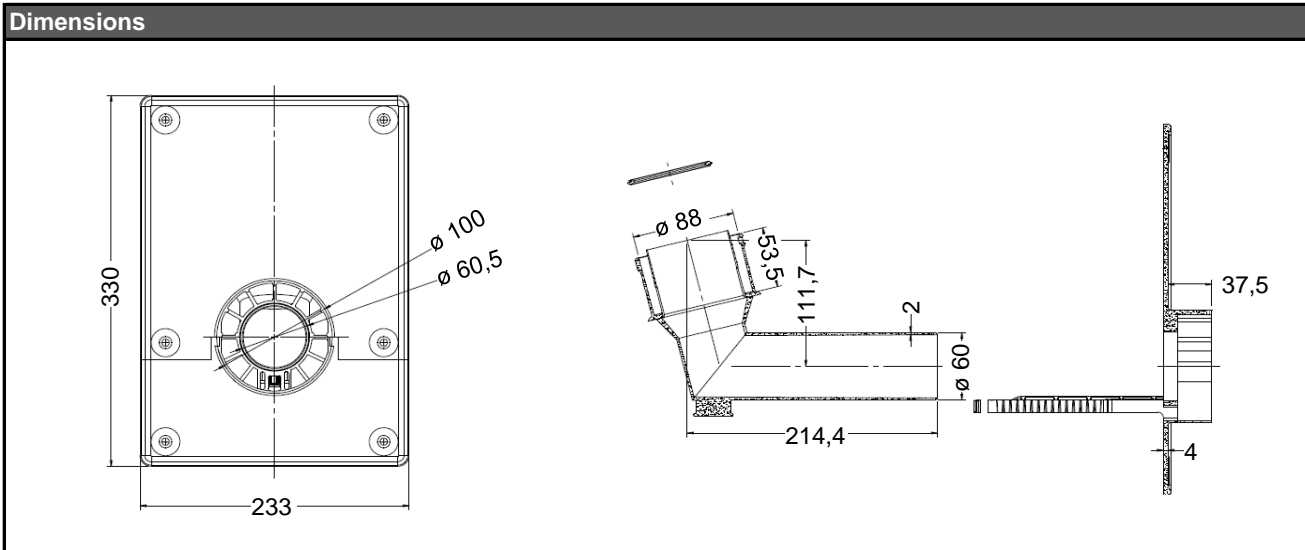


RegulusFLEX Flexible Flue Liner, diam. 80

Chimney Elbow with chimney plate and adapter to diam. 60/100



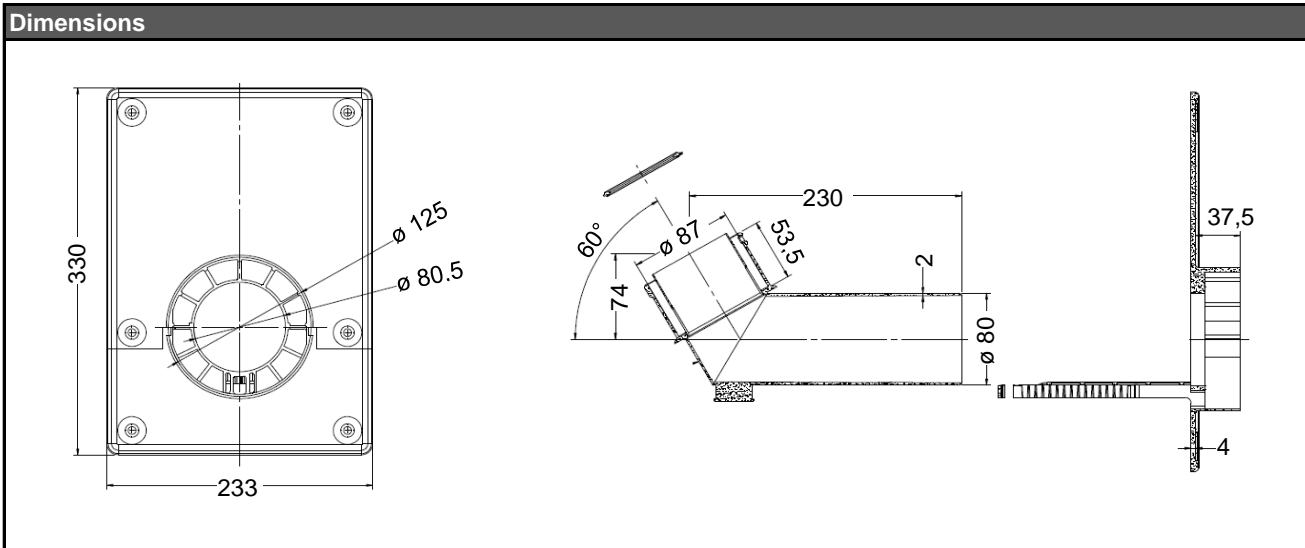
Code	Marking	
17229 ⁴⁾	A1012248	⁴⁾ chimney elbow is also included in chimney kit 17243



Chimney Elbow with chimney plate and adapter to diam. 80/125



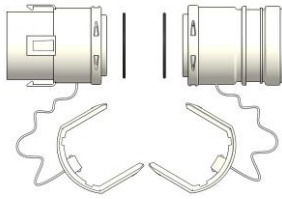
Code	Marking	
16817 ⁵⁾	A1012243	⁵⁾ chimney elbow is also included in chimney kit 16904



RegulusFLEX Flexible Flue Liner, diam. 80

Termination Kit

3D model



Photo



Code

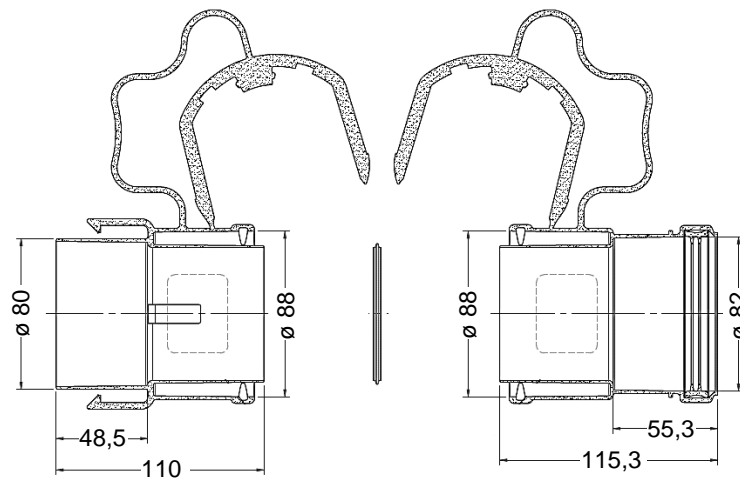
Marking

15441⁶⁾

BB011521

⁶⁾ kit is also included in chimney cowl set 15836

Dimensions



Gasket

3D model



Photo



Code

Marking

Diameter

Specification

15952

A1011192

80 mm

1 lip

Dimensions

