

PS 200 N+



PS 200 N+ with insulation



Main features	
Application	storage and subsequent distribution of thermal energy from solid-fuel boilers, heat pumps or other heat sources
Description	welded steel tank
Working fluid	water, water-glycol mixture (max. 1:1), water-glycerine mixture (max. 2:1), thermal oil

Code	
Thermal Store	14 717
Insulation	16 326

Energy Efficiency Data (as per EC Regulation No. 812/2013)	
	PS 200 N+
Energy efficiency class	C
Standing loss	60 W
Storage volume	181 l

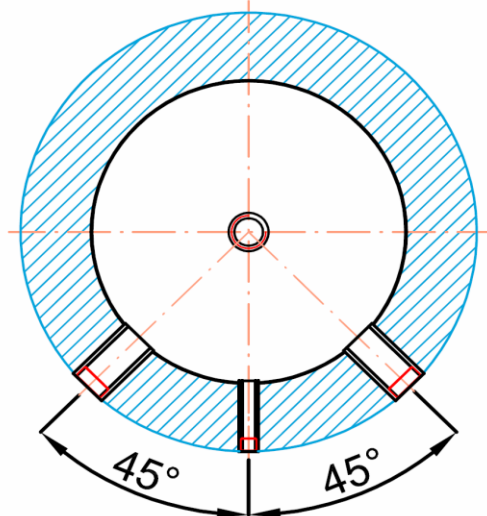
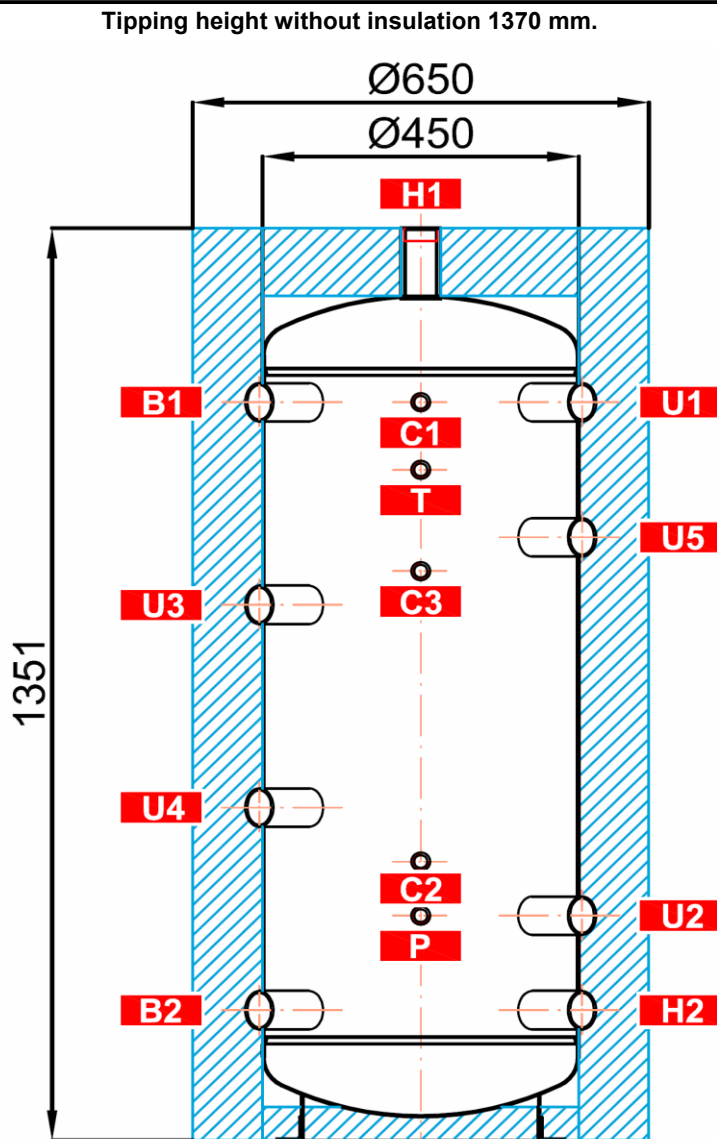
Technical data	
Total tank volume	181 l
Max. working temperature in tank	95 °C
Max. working pressure in tank	4 bar

Materials	
Tank material	S235JR
Tank perimeter insulation	fleece
Insulation's outer surface	PU leather
Top and bottom tank insulation	fleece

Dimensions, Tipping height, Weight	
Tank diameter	450 mm
Tank diameter with insulation	650 mm
Tank overall height	1351 mm
Tipping height without insulation	1370 mm
Tank perimeter insulation thickness	100 mm
Bottom insulation thickness	50 mm
Top insulation thickness	120 mm
Empty weight without insulation	42 kg

Accessories	
El. heating element	models ETT-A, D, F, G, M
Heating elem. max. length / output	495 mm / 6 kW

Dimensions



TAPPINGS

pos.	connection	height [mm]
Heat sources		
B1	G 6/4" F	1093
B2	G 6/4" F	193
Heating system		
H1	G 6/4" F	1351
H2	G 6/4" F	193
Control and safety		
C1	G 1/2" F	1093
C2	G 1/2" F	413
C3	G 1/2" F	843
T	G 1/2" F	993
P	G 1/2" F	333
Universal inlet / outlet		
U1	G 6/4" F	1093
U2	G 6/4" F	333
U3	G 6/4" F	793
U4	G 6/4" F	493
U5	G 6/4" F	893