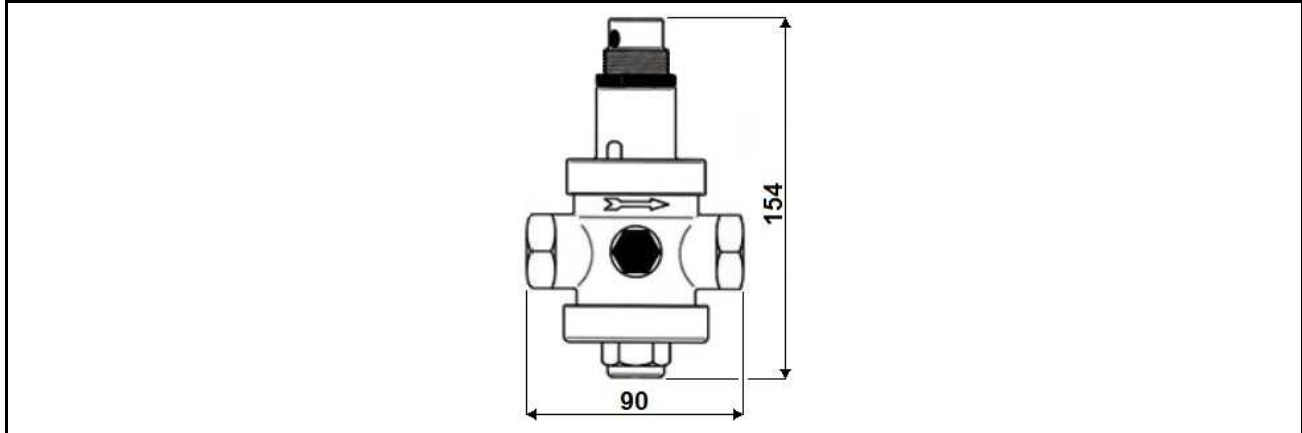


Pressure reducer, max. inlet pressure 25 bar



| Main features | |
|------------------------------|---|
| Application | pressure reduction |
| Purpose | designed for incoming fluid pressure stabilization and reduction to a desired value |
| Working fluid | water, compressed air |
| Installation position | any position |
| Code | 15 086 |
| Technical data | |
| Max. working pressure | 25 bar |
| Fluid max. working temperat. | 80 °C |
| Outlet pressure | 0.5 to 6 bar |
| Connection size | 2 x G 1" F 2 x G 1/4" F for pressure gauge |
| Weight | 1290 g |
| Materials | |
| Valve body | nickel-plated brass |
| Valve seat | stainless steel |
| O-rings | NBR |

Dimensions



Pressure drop graph

