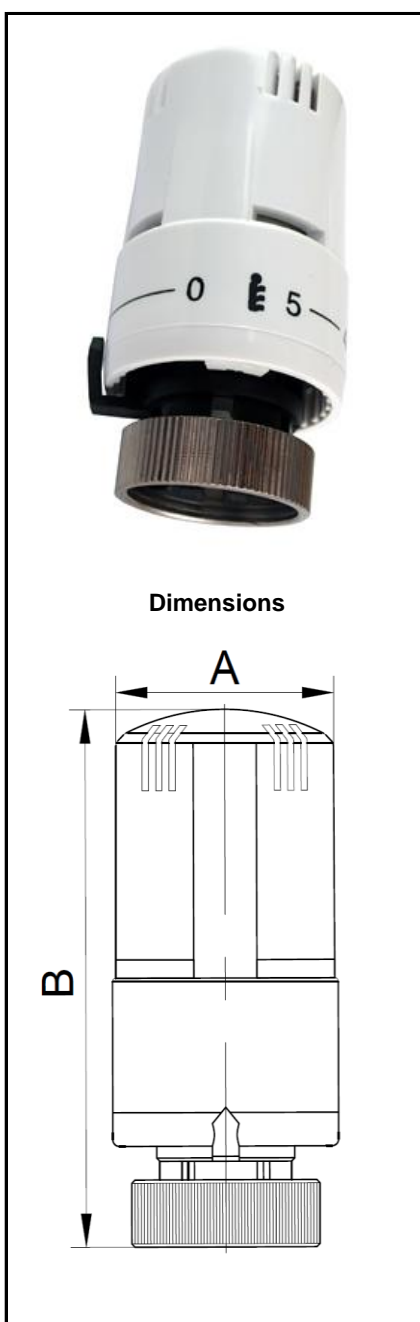


Thermostatic head TH 01 B

v1.0_11/2018



Main Features	
Description	thermostatic head with integrated fluid sensor
Application	heating systems with radiators
Purpose	with a thermostatic radiator valve, heating water flow into a radiator is regulated and the desired room temperature maintained
Installation	horizontal
Code	17105

Technical Data	
Temperature regulation range	7 to 28°C
Max. valve static pressure	10 bar
Max. valve pressure difference	1 bar
Hysteresis	0,4 K
Differential pressure influence	0,4 K
Water temperature influence	0,5 K
Stroke change with temperature	0,22 mm / K
Closing time	20 min.
Connection size	M30 x 1,5

Additional features	
Dimension A	38,5 mm
Dimension B	80 mm
Weight	100 g
Colour	white

Head adjustment							
Symbol	0	*	1	2	3	4	5
Set temperature	0°C	7°C	12°C	16°C	20°C	24°C	28°C

Accessories - recommended thermostatic radiator valve	
VTP 1/2"	code 16471
VTP 3/4"	code 16472
VTR 1/2"	code 16473
VTR 3/4"	code 16474
VTP 1/2" x EK	code 17110
VTR 1/2" x EK	code 17111