

TT-TNTW Heated Towel Rails with Thermostat



Main Features	
Application	heating of static or forced- flowing working fluid in heated towel rails
Description	electric heating element, resistance type, with white room thermostat switching on/off the heating element depending on the actual and desired room temperatures
Working fluid	water, water-glycol mixture (max. 1:1), thermal oil
Installation position	any except for vertical with el. cable upwards

Codes	
11399	for a heating element of 300W nominal output
11400	for a heating element of 400W nominal output
11401	for a heating element of 500W nominal output
11402	for a heating element of 600W nominal output
11403	for a heating element of 700W nominal output
11404	for a heating element of 800W nominal output
11405	for a heating element of 900W nominal output

Technical Data - thermostats (room / operating / safety types)		
Room thermostat	switch-on contact	6 A
	temperature sensor	NTC
	temperature adjustment	5-35 °C, 0.5 °C step
	timer settings	15 min. - 5 h. 15 min. step
	displayed ambient temp.	0-40 °C, 0.5 °C step
	control	3 keys
Operating thermostat	modes	current mode, antifrost protection, timer
	description	fixed setting, automatic reset
	switch-off temperature	80 ± 5 °C
Safety thermostat	switch-on temperature	35 ± 15 °C
	description	fixed setting, no reset
	switch-off temperature	110 + 0 / - 5 °C

Other Data	
Working temperature	0 - 45 °C
Working humidity	5 - 95 % (non condensing)
Storing temperature	-20 to 55 °C

Electric Data	
Power supply	230 V 50 Hz
IP protection by EN 60529	IP44

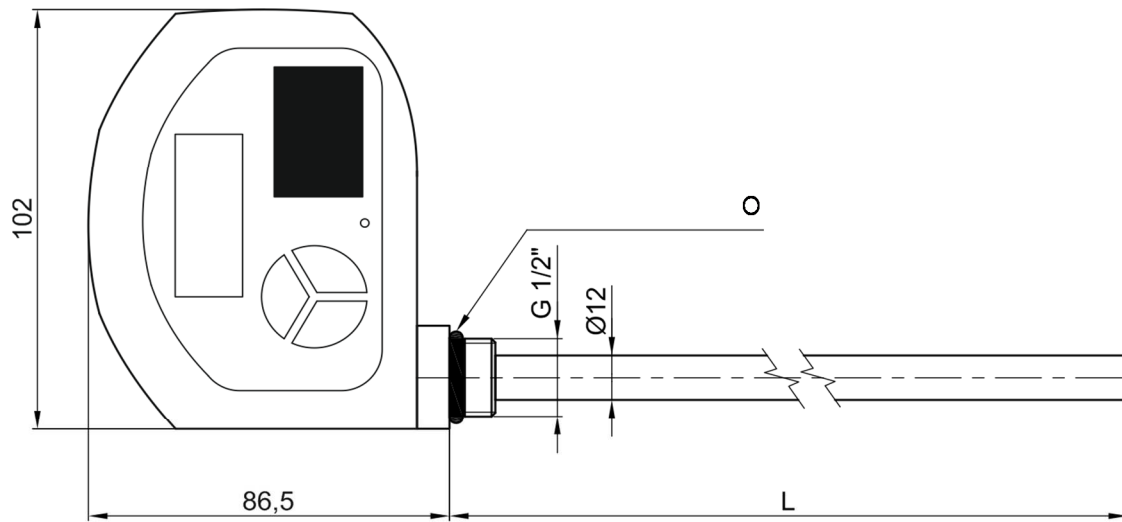
Power Cable	
Type marking	H05VV-F
Cross section area - length	3 x 0.75 mm ² - 1.2 m
Connection to mains	loose end cable

Materials	
Heating element	stainless steel AISI A304
Heating element housing	chrome-plated brass
Power cable	PVC

This heating element is designed to heat only fluids listed in this document. Heating other fluids, gases or vapours is not recommended.

TT-TNTW Heated Towel Rails with Thermostat

Dimensions



marking	nominal output [W]	nominal current [A]	element length L ± 5 mm [mm]	connection [-]
TT-TNTW-300	300	1,3	395	G 1/2"
TT-TNTW-400	400	1,7	435	
TT-TNTW-500	500	2,2	535	
TT-TNTW-600	600	2,6	585	
TT-TNTW-700	700	3,0	685	
TT-TNTW-800	800	3,5	735	
TT-TNTW-900	900	3,9	835	