

Anti-Scald Valve with a Recirculation Connection Kit

Main Features	
Description	<p>Used in DHW systems with recirculation. It consists of:</p> <ul style="list-style-type: none"> • anti-scald valve of TVmix type • housing of recirculation connection kit with 3 integrated non-return valves • connecting fittings <p>An anti-scald valve ensures such mixing cold and hot water from a heater that the outgoing water is of the preset temperature. If cold water supply is interrupted, the valve closes hot water supply to avoid scalding at the outlet point.</p> <p>Non-return valves prevent water backflow to recirculation and cold water piping.</p>
Working fluid	drinking water
Installation	following the connection diagram; the flow direction marked by arrows on the housing shall be respected
Code	17602

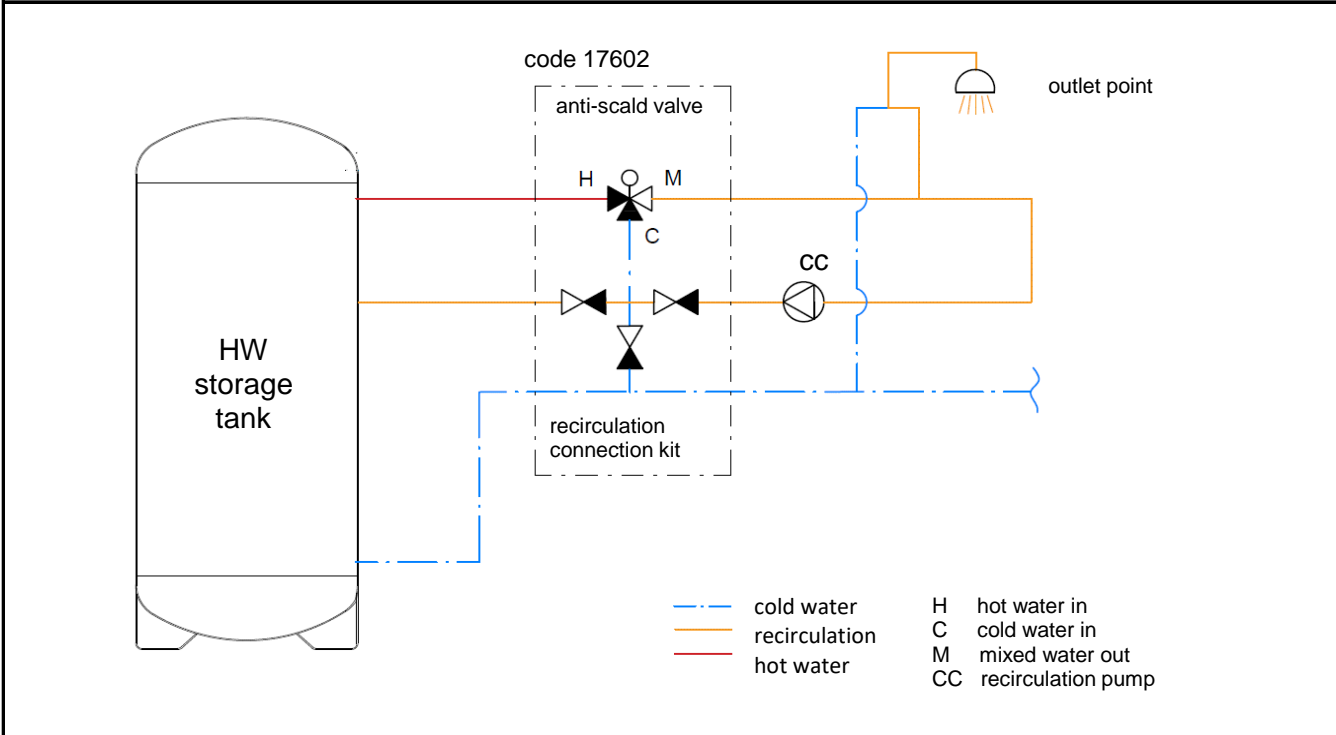


Technical Data	
Max. working pressure	10 bar
Working temperature range	5 to 95 °C
Adjustable temperature range	35 to 65 °C ±3°C

Materials	
Load valve housing	DZR brass CW625N (dezincification-resistant)
Kit housing	DZR brass CW625N (dezincification-resistant)
Valve cap	plastic
Non-return valve body	POM Hostaform
Non-return valve O-ring	EPDM

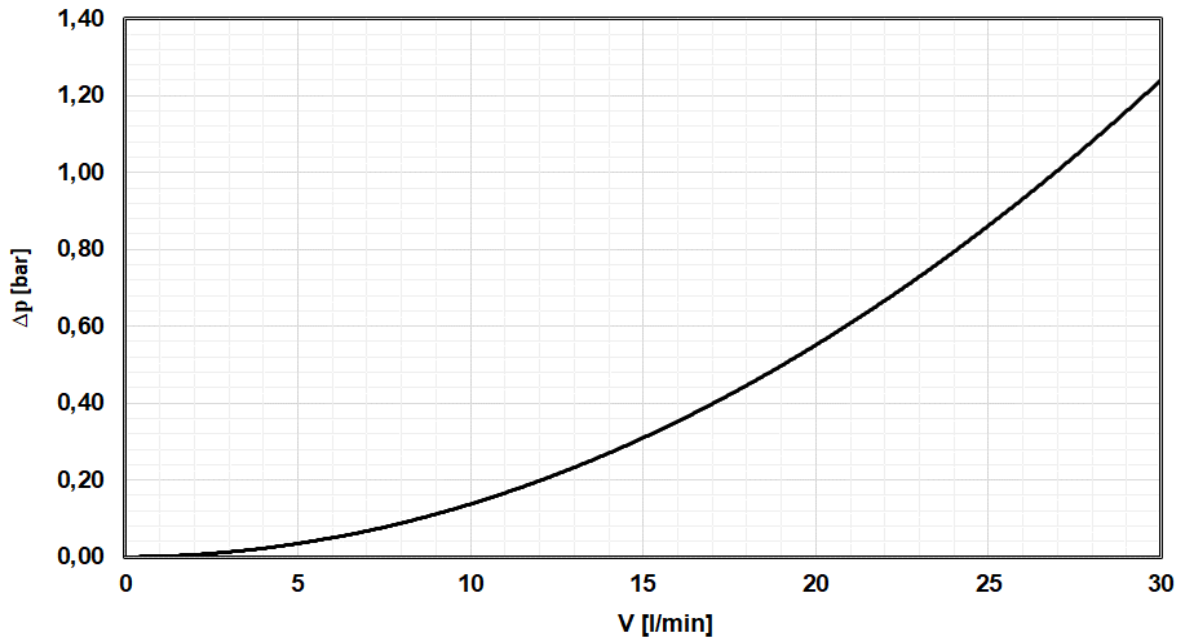
Other Data	
Kvs	1.6 m ³ /h
Weight	1.4 kg
Connections	G 3/4" M

Connection Diagram



Anti-Scald Valve with a Recirculation Connection Kit

Pressure Drop Diagram



Dimensions

