

DATA SHEET

2-way Zone Ball Valves with Manual Control, VZK-M model



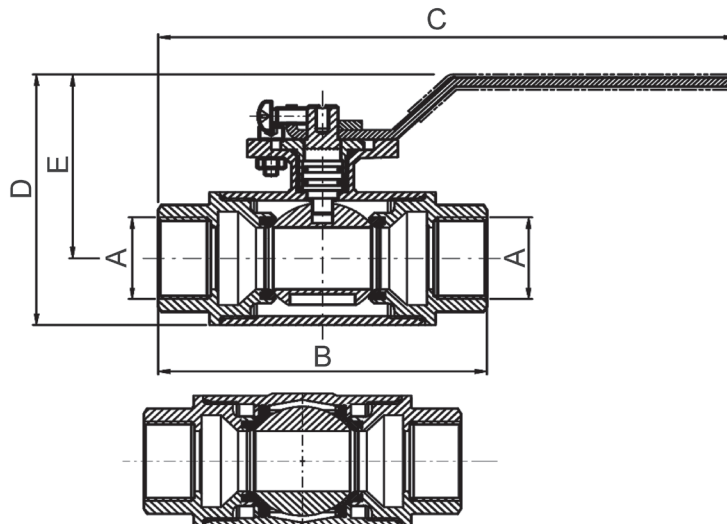
Main Features

Application	Two-way shut-off ball valve, manual control.
Working fluid	Water; water-glycol (max. 1:1) or water-glycerine (max. 2:1).
Installation	Any position, except for the lever facing downwards.

Table of Codes

Marking	Code	Nominal clearance DN	Connecting thread A	B [mm]	C [mm]	D [mm]	E [mm]	K_{vs} [m ³ /h]	Weight [kg]
VZK M 220 1/2F	20018	20	2 x G 1/2" F	96	170	81	55	8.9	0.7
VZK M 220 3/4F	20021	20	2 x G 3/4" F	96	170	81	55	18.7	0.7
VZK M 220 1F	20016	20	2 x G 1" F	96	170	81	55	20	0.7
VZK M 225 1F	20023	25	2 x G 1" F	104	174	90	64	31.6	1
VZK M 225 5/4F	20020	25	2 x G 5/4" F	104	174	90	64	34.3	1

Dimensions



Technical Data

Max. working pressure	10 bar
Max. fluid working temperature	110 °C
Angle of rotation	90°
Ambient working temperature	5 °C to 40 °C
Max. pressure difference	10 bar

Materials

Valve housing	CW617N
Valve spindle	CW617N
Valve ball	chrome-plated brass
O-rings	EPDM, FPM
Seal	PTFE

Installation and Operation

- Fluid can flow in either direction through the valve.
- Valve position is indicated by the groove on the valve spindle.
- The valve lever handle can be repositioned by 90 deg.
- The valve is fitted with an ISO 5211 flange, permitting connection of and control by an actuator.