


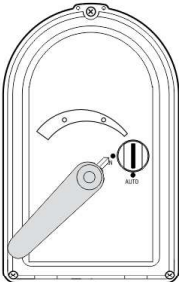
VZK-S Zone Ball Valves with Actuator, two-pole control, permitting mixing

VZK-S

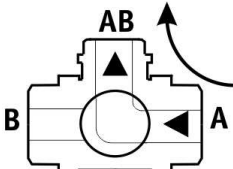


Valve position and flow of fluid

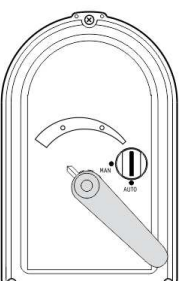
A → AB



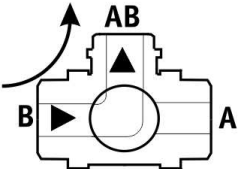
AB



B → AB



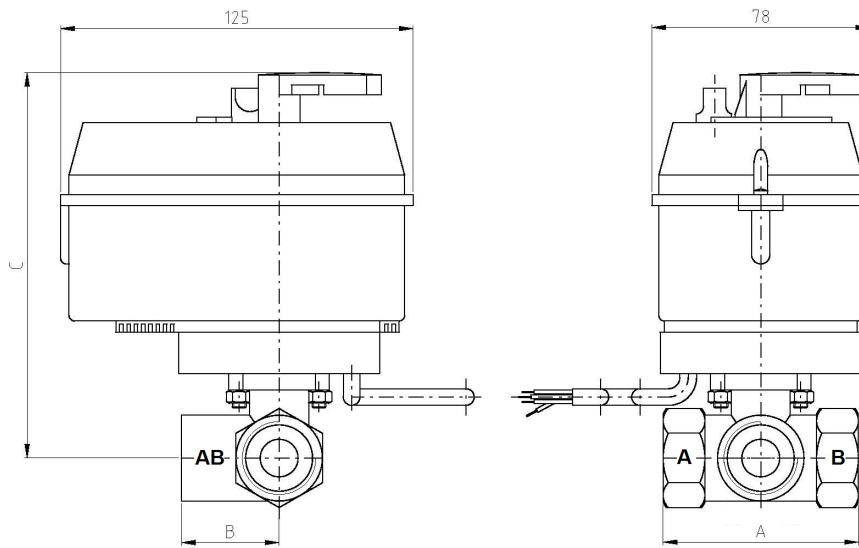
AB



Main features	
Application	heating or solar thermal systems, except for systems with gravity circulation
Working fluid	water, antifreeze mixture for heating and solar thermal systems and heat pumps
Installation position	any, except for the position with the actuator downwards
Codes	
13 589	for connections G 1/2" F and K_{vs} 10,5 m ³ /h
11 286	for connections G 3/4" F and K_{vs} 10,5 m ³ /h
11 287	for connections G 1" F and K_{vs} 14,0 m ³ /h
Control	
Control type	two-pole control, permitting mixing
Description of electrical control	when the brown wire is energized, the actuator turns clockwise (path A-AB opens), when the black wire is energized, the actuator turns anti-clockwise (path B-AB opens), when de-energized, the actuator remains in its position
Description of manual control	by pressing and turning the push button with a screwdriver, the actuator motor drive will be disengaged; by turning the handle the desired valve position can be adjusted
Auxiliary switch	a circulation pump can be controlled by an auxiliary switch wired over a contactor
Technical data	
Max. working pressure	16 bar
Max. fluid working temperature	110 °C
Ambient working temperature	0° to 55°C
Shift time	48 s
Opening angle	90°
Electric data	
Power supply	230 V 50 Hz
Power consumption	6 W
Current	30 mA
Torque	15 Nm
IP rating	IP44 by EN 60 529
Protection class	II by EN 61 140 ed.2
Electromagnetic compatibility	by EN 50130-4
Power cable cross section area	4 x 0,5 mm ²
Power cable length	2 m
Materials	
Valve housing	forged brass, nickel plated
Valve spindle	nickel-plated brass
Valve ball	chrome-plated brass
Two o-rings	FPM
Power cable	PVC

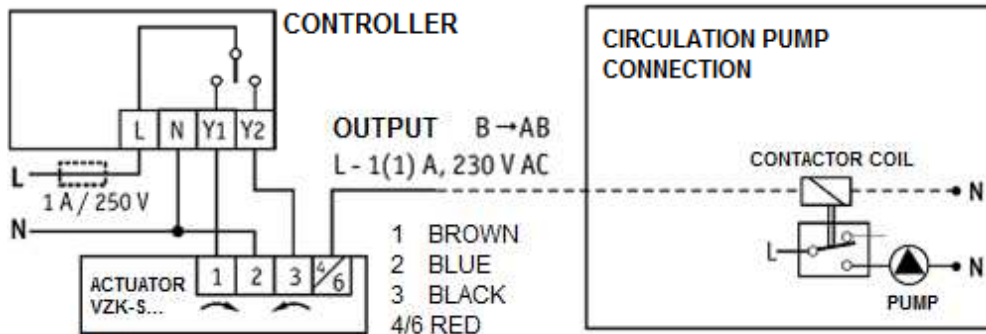
VZK-S Zone Ball Valves with Actuator, two-pole control, permitting mixing

Dimensions



Designation	Code	Dimensions [mm]			Weight	K _{vs}	Connection	Max. pressure difference
		A	B	C				
VZK-S 315-230-2P	13 589	67,0	33,5	137	1,11 kg	10,5 m ³ /h	G 1/2" F	10 bar
VZK-S 320-230-2P	11 286	69,5	31,8	137	1,04 kg	10,5 m ³ /h	G 3/4" F	
VZK-S 325-230-2P	11 287	82,0	42,0	145	1,25 kg	14,0 m ³ /h	G 1" F	

Electric wiring



Pressure drop graph

