

VZK Zone Ball Valve with Actuator

Two-way valves



Three-way valves

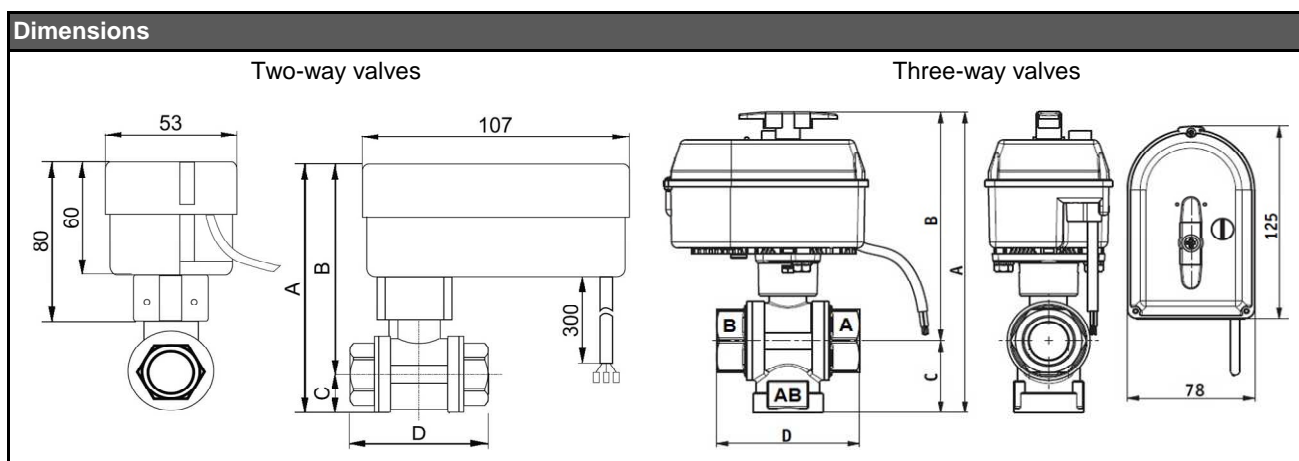
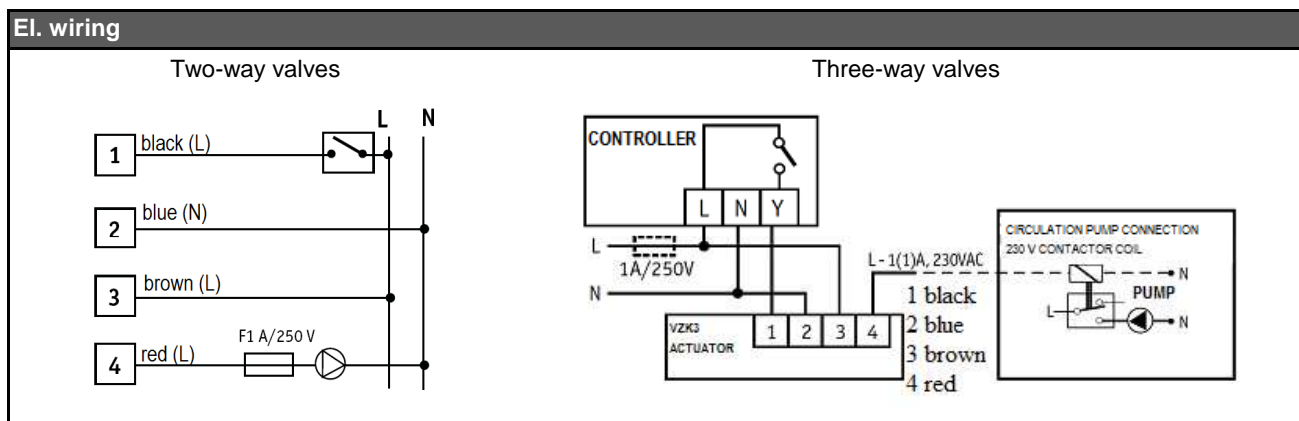


Main features						
Application	sanitary and drinking water piping, heating and solar thermal systems, not for gravity circulation systems			sanitary and drinking water piping, heating and solar thermal systems, not for gravity circulation systems		
Working fluid	water-glycol mixture (max. 1:1), water-glycerine mixture (max. 2:1), water, drinking water			water-glycol mixture (max. 1:1), water-glycerine mixture (max. 2:1), water, drinking water		
Installation position	any, except for the position with the actuator downwards			any, except for the position with the actuator downwards		
Type	VZK 215	VK 220	VZK 225	VZK 315	VZK 320	VZK 325
Code	11 288	10 344	11 289	11 292	11 293	11 294
Control	single-pole			single-pole		
Electric control	the valve requires Neutral, Switched Live (black) and Permanent Live (brown); the valve is closed without Switched Live, as soon as Switched Live is present, the valve opens			the valve requires Neutral, Switched Live (black) and Permanent Live (brown); the port B is open without Switched Live, as soon as Switched Live is present, the port A opens		
Antiblock function	if valve shift is blocked by an obstacle, the actuator will stop and turn in the other direction by 270°			-		
End switch	at the end position, 230 V is present on the red wire that can be used to control a circulation pump			at the end position, 230 V is present on the red wire that can be used to control a circulation pump		
Manual control	after removing the retaining spring, the actuator can be shifted upwards; the valve will shift by rotating the actuator			by pressing and turning the push button with a screwdriver, the actuator motor drive will be disengaged; by turning the handle the desired valve position can be		
Shift time	30 s			64 s		
Opening angle	90°			180°		
Technical data						
Max. working pressure	16 bar			16 bar		
Fluid working pressure	up to 110 °C			až 110 °C		
Max. pressure difference	10 bar			10 bar		

VZK Zone Ball Valve with Actuator

Actuator data		
Power supply	230 V 50 Hz	230 V 50 Hz
Power consumption	7 W	9 W
Current	30 mA	40 mA
Idle power	3 W	5 W
Torque	8 Nm	15 Nm
IP rating	IP44 by EN 60529	IP44 by EN 60529
Protection class	II by EN 61140 ed.2	II by EN 61140 ed.2
Electromagnetic compatibility	by EN 50130-4	by EN 50130-4
Ambient working temperature	0 to 55 °C	0 to 55 °C
Power cable cross section	4 x 0.50 mm ²	4 x 0.50 mm ²
Power cable length	0.3 m	2 m

Materials		
Valve housing	forged brass, nickel plated	forged brass, nickel plated
Valve spindle	nickel-plated brass	nickel-plated brass
Valve ball	chrome-plated brass	chrome-plated brass
O-ring	FPM	FPM
Power cable	PVC	PVC

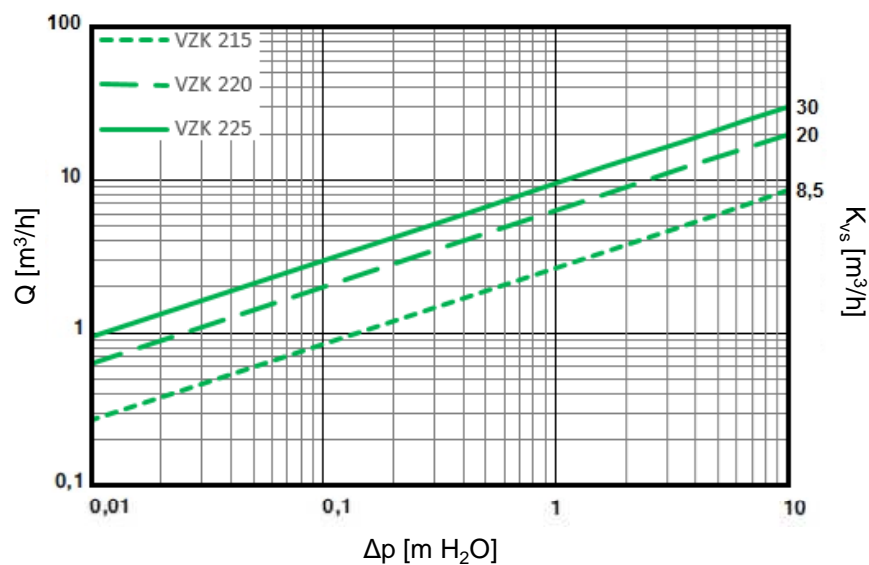


VZK Zone Ball Valve with Actuator

Parameters		Type	Two-way valves			Three-way valves		
			VZK 215	VZK 220	VZK 225	VZK 315	VZK 320	VZK 325
Connection			G 1/2" F	G 3/4" F	G 1" F	G 1/2" F	G 3/4" F	G 1" F
Dimensions	A [mm]		126	129	137	183	183	194
	B [mm]		108,5	109,5	113,5	144	144	148
	C [mm]		17,5	19,5	23,5	39	39	46
	D [mm]		63	57	68	74	74	88
K_{vs}	[m ³ /h]		8,5	20	30	5	7	11
Weight	[kg]		0,68	0,65	0,81	1,02	1,25	1,53

Pressure drop graph

Two-way valves



Three-way valves

