

ZVP Zone Valves with return spring

Two-way valves



Three-way valves



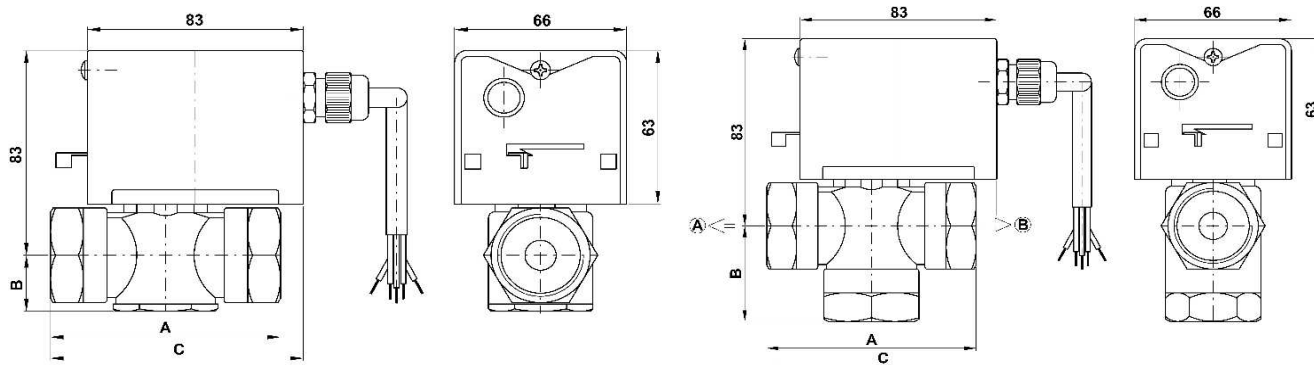
Main features						
Application	heating or solar thermal systems, except for systems with gravity circulation			heating or solar thermal systems, except for systems with gravity circulation		
Working fluid	water, water/glycol mixture (max. 1:1), water/glycerine mixture (max. 2:1)			water, water/glycol mixture (max. 1:1), water/glycerine mixture (max. 2:1)		
Installation position	any, except for the actuator downwards			any, except for the actuator downwards		
Model	VZP 215	VZP 220	VZP 225	VZP 315	VZP 320	VZP 325
Codes	12 856	12 857	12 858	12 854	12 855	9 658
Control	closing with return spring			closing with return spring		
De-energized	port B closed			port B open		
Energized	valve open			port A open		
Manual control (by lever)	valve open			ports A and B open		
Closing time - spring	cca 6 s			cca 6 s		
Closing time - actuator	cca 10 s			cca 10 s		
Valve						
Connection	G 1/2"	G 3/4"	G 1"	G 1/2"	G 3/4"	G 1"
K_{vs} value	2.2 m ³ /h	3.0 m ³ /h	4.6 m ³ /h	2.2 m ³ /h	3.0 m ³ /h	4.6 m ³ /h
Max. pressure difference	2 bar	1,8 bar	1,5 bar	2 bar	1,8 bar	1,5 bar
Weight	0.8 kg	0.8 kg	1.0 kg	0.8 kg	0.8 kg	1.0 kg
Max. working pressure	1.6 MPa			1.6 MPa		
Fluid working temp.	5-95 °C permanent, 120 °C temporary (max. 1 h)			5-95 °C permanent, 120 °C temporary (max. 1 h)		
Actuator	removable after pressing a lock button, valve dismounting not needed			removable after pressing a lock button, valve dismounting not needed		
Power supply	230 V 50 Hz			230 V 50 Hz		
Power consumption	7 W			7 W		
Current	35 mA			35 mA		
Endstop switch	potential-free, closed when valve fully open			potential-free, closed when valve fully open		
IP rating	IP20 per EN 60 529			IP20 per EN 60 529		
Protection class	II per EN 61 140 ed. 2			II per EN 61 140 ed. 2		
Elmag. compatibility	per EN 50 130-4			per EN 50 130-4		
Ambient working temp.	5 - 60 °C			5 - 60 °C		
Power cable - cross section	5 x 0.75 mm ²			5 x 0.75 mm ²		
Power cable - length	1 m			1 m		
Power cable - gland	Pg 9			Pg 9		
Materials						
Valve housing	forged brass			forged brass		
Spindle and spring	stainless steel			stainless steel		
Actuator cover	stainless steel (bottom part), aluminium alloy (upper part)			stainless steel (bottom part), aluminium alloy (upper part)		
Power cable	PVC			PVC		

VZP Zone Valves with return spring

Dimensions

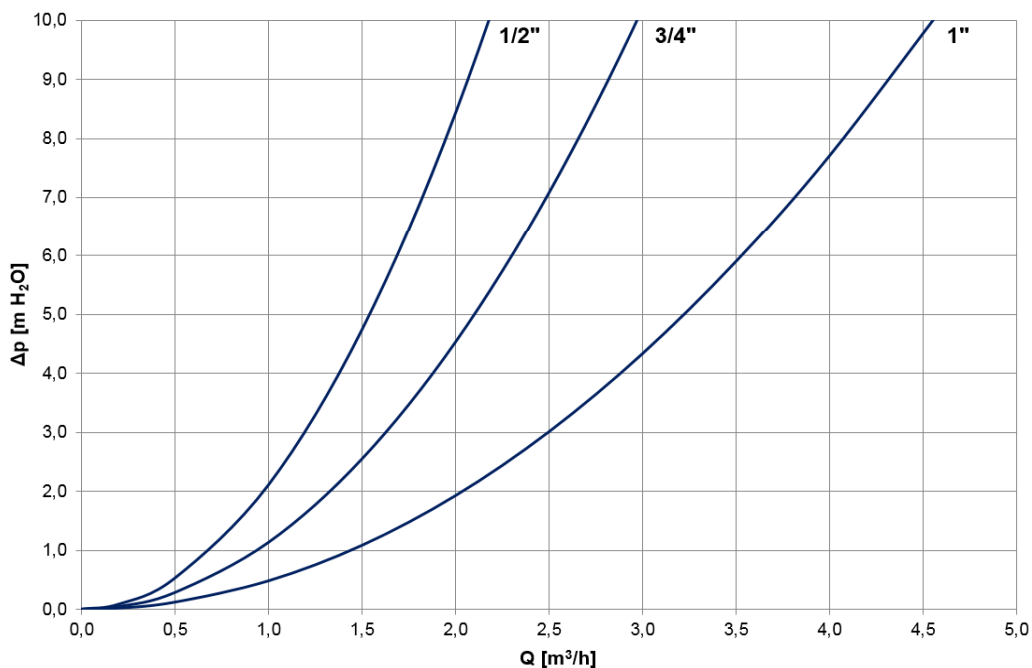
Two-way valves

Three-way valves



Model	VZP 215	VZP 220	VZP 225	VZP 315	VZP 320	VZP 325
Connection	G 1/2"	G 3/4"	G 1"	G 1/2"	G 3/4"	G 1"
A	72 mm	78 mm	88 mm	72 mm	78 mm	88 mm
B	22 mm	22 mm	23 mm	28 mm	33 mm	42 mm
C	90 mm	90 mm	95 mm	86 mm	90 mm	95 mm

Pressure drop graph



El. wiring

Two-way valves

Three-way valves

